

WIRING DIAGRAM

	Page
1. General Description	1
2. Wiring Diagram	10
(1) POWER SUPPLY ROUTING	10
(2) ENGINE CONTROL SYSTEM (SOHC)	14
(3) ENGINE CONTROL SYSTEM (2.0 ℓ DOHC NA)	18
(4) ENGINE CONTROL SYSTEM (2.5 ℓ)	22
(5) ENGINE CONTROL SYSTEM (Turbo vehicle)	26
(6) VDC CONTROL SYSTEM	30
(7) STARTER MOTOR SYSTEM (MT vehicle)	32
(8) STARTER MOTOR SYSTEM (AT vehicle)	33
(9) KEYLESS ENTRY SYSTEM (With hook)	34
(10) KEYLESS ENTRY SYSTEM (Without hook)	35
(11) STOP LIGHT SYSTEM	36
(12) BACK-UP LIGHT SYSTEM	37
(13) TURN SIGNAL AND HAZARD SYSTEM	38
(14) LIGHTING SYSTEM (CLEARANCE, LICENSE AND ILLUMI.)	40
(15) COMBINATION METER	42
(16) FUEL GAUGE SYSTEM	44
(17) INTERIOR LIGHT AND DOOR WARNING LIGHT	45
(18) REAR WIPER AND WASHER SYSTEM (With intermittent)	46
(19) REAR WIPER AND WASHER SYSTEM (Without intermittent)	47
(20) POWER WINDOW SYSTEM	48
(21) REMOTE CONTROLLED REARVIEW MIRROR SYSTEM	50
(22) REAR WINDOW DEFOGGER SYSTEM	51
(23) CARGO FAN SYSTEM	52
(24) ELECTRICAL CONTROLLED MUFFLER SYSTEM	53
(25) BODY GROUND SYSTEM	54
3. Electrical Wiring Harness and Ground Point	55
(1) BULKHEAD WIRING HARNESS (Compartment)	56
(2) INSTRUMENT PANEL WIRING HARNESS	58
(3) DOOR CORD	60
(4) REAR WIRING HARNESS	62
(5) REAR WIRING HARNESS AND REAR GATE CORD	64

1. General Description

This Manual describes the symbols and abbreviations used in electrical wiring diagrams (schematics). These symbols and abbreviations are used to indicate connector configuration, terminal number, male and female connections, wire color coding, and other important distinctions.

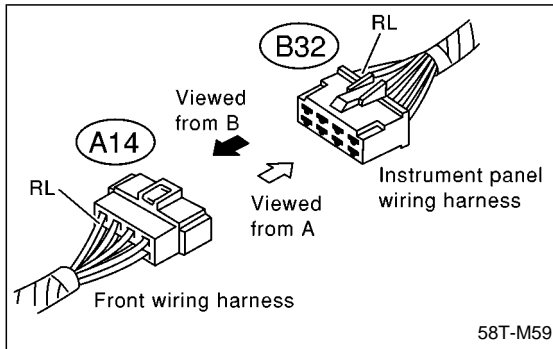
CAUTION:

- **Unauthorized changes in electrical wiring configuration together with the connecting of unauthorized equipment to the basic wiring configuration (harnesses) are a primary cause of vehicle fires. Under no circumstances should additional electrical equipment be connected to the harnesses. Neither should some other piece of electrical equipment be used as the power supply. Use only the specified terminals when making connections.**

- **Note the specified terminal maximum capacity. Under no circumstances should this capacity be exceeded.**

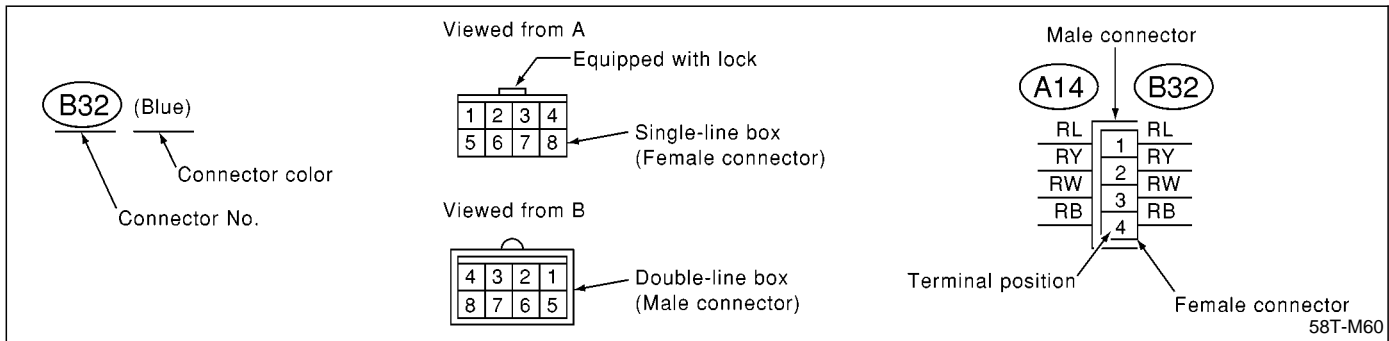
1. Viewing the connector

Connector terminal positions are always shown from the harness side. Determine the viewing direction as it is shown in the wiring diagram.

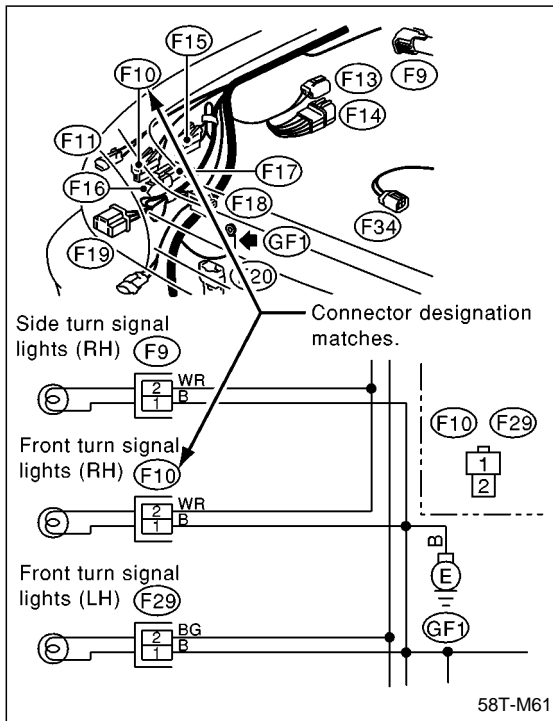


2. Connector indications

- Female connectors are shown as a box constructed of a single continuous line. Male connectors are shown as a box constructed of a continuous double line.
- Connector boxes are divided into smaller boxes. The number of smaller boxes corresponds to the number of connector terminals. The numerical characters inside the smaller boxes indicate terminal position.
- A small projection at the top of the connector box indicates that the connector is equipped with a lock.



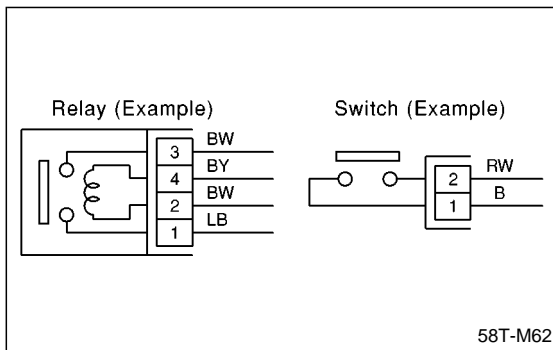
WIRING DIAGRAM



3. Connector designation and numbering

Connector designations shown in the wiring diagram matches the connectors in the figures under Electrical Wiring Harness and Ground Point. To determine connector position on an actual vehicle, refer to Electrical Wiring Harness and Ground Point.

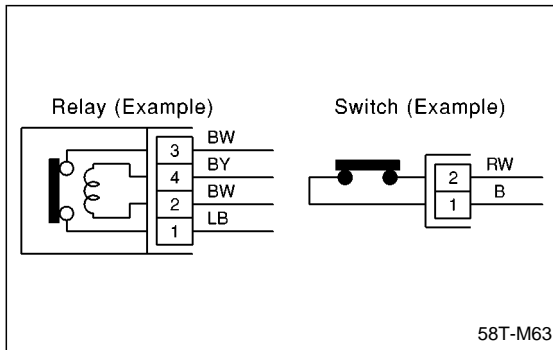
F	Front
E	Engine and transmission
B	Bulkhead
i	Instrument panel
D	Rear gate cords
S	Roof cords
AB	Airbag
R	Compartment



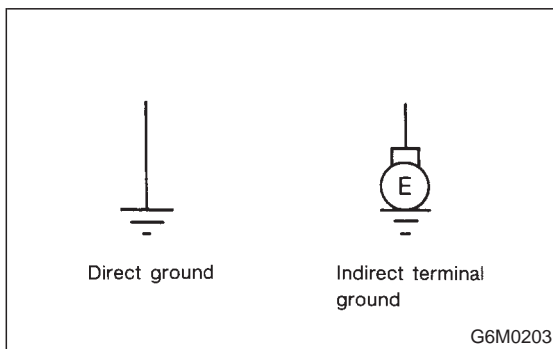
4. Switch and relay indications

All switches and relays shown in the diagram are in the OFF position (no current flow).

- N.O = Normally open (Contacts separated with no current flow)



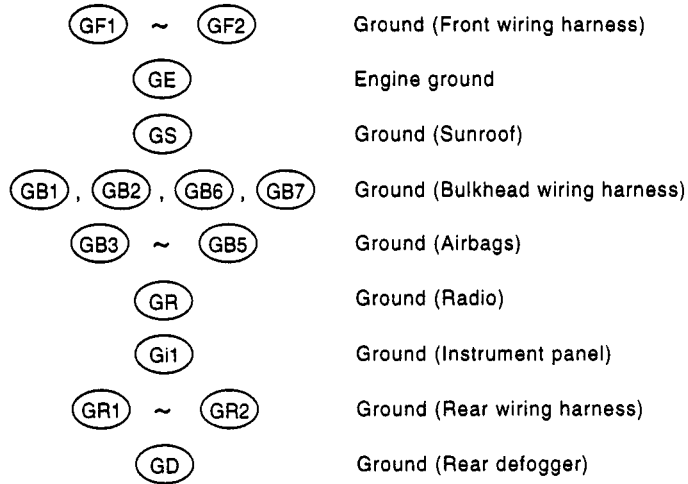
- N.C = Normally close (Contacts closed with no current flow)



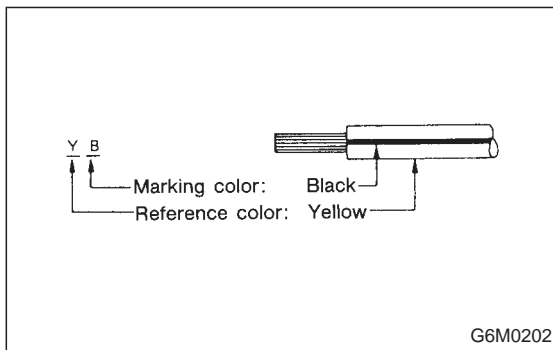
5. Ground indications

Ground indications are as shown in the figure. Ground installation positions are shown in a separate diagram.

WIRING DIAGRAM



67K-M40



6. Circuit diagram color coding

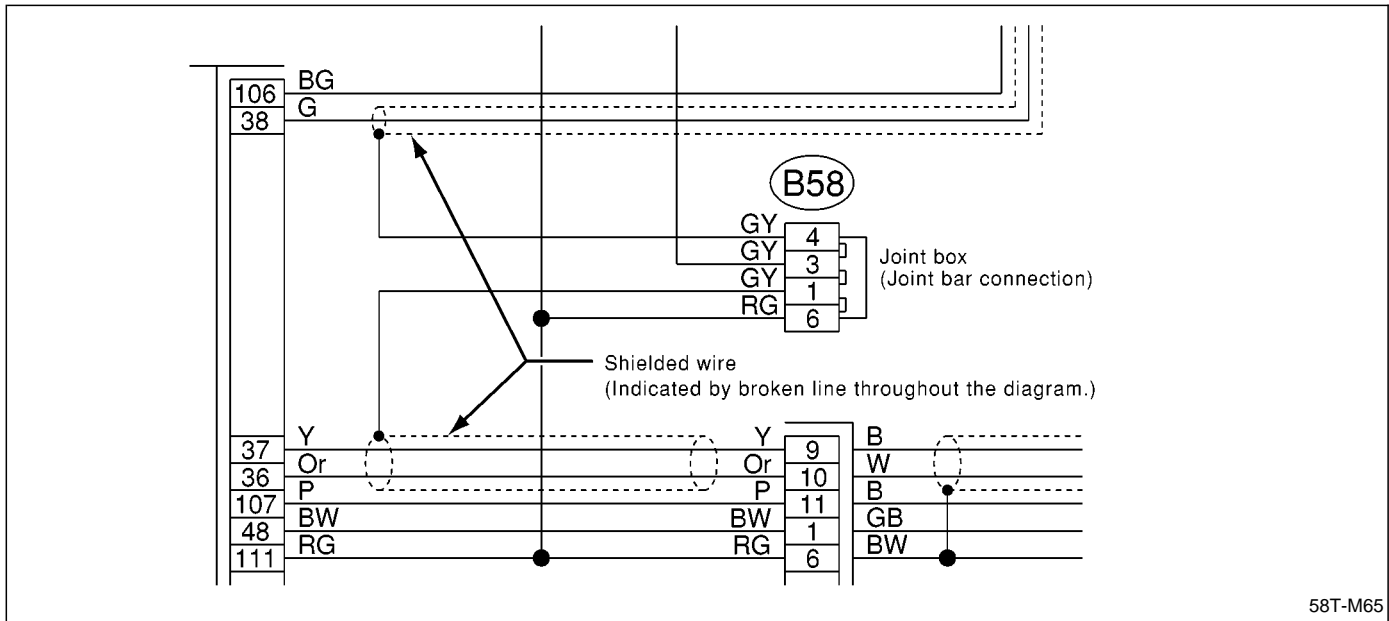
Alphabet color symbol	Color
L	Blue
B	Black
Y	Yellow
G	Green
R	Red
W	White
Br	Brown
V	Violet
Lg	Light green
Or	Orange
Sb	Sky blue
Gr	Gray
P	Pink

Wiring having two colors is indicated by two alphabet characters. The character at the left shows the reference color. The character at the right shows the marking color. Refer to the example.

WIRING DIAGRAM

7. Shielded wire indication

Some electronic control equipment wiring is shielded to prevent harmful stray radio wave interference. Shielded wire is indicated by a broken line in the diagram. Refer to the figure.



58T-M65

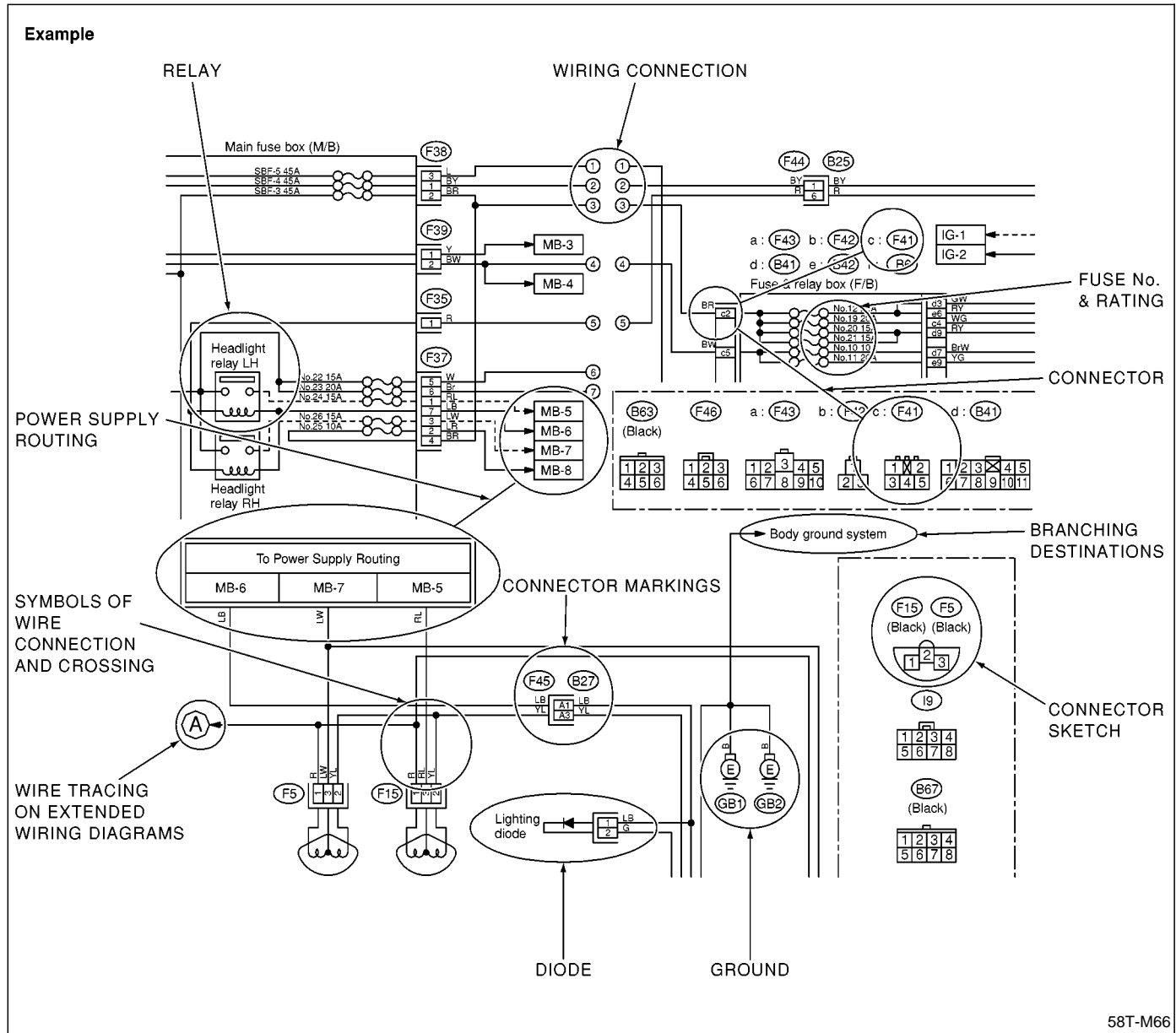
Shielded wire consists of vinyl-covered electric wire surrounded by metallic material. The metallic material is grounded to prevent static electricity build-up.

8. Abbreviation list

Alphanumeric symbol	Definition	Alphanumeric symbol	Definition
IG	Ignition	PASS	Passing
ACC	Accessory	MG	Magneto
ST	Starter	WASH	Windshield washer
B	Battery	D, DN	Down (Direction)
E	Ground (Earth)	U, UP	Up (Direction)
LH	Left side	AD	Automatic down
RH	Right side	AU	Automatic up
ABS	Anti-lock brake system	Lo	Low (Position)
SBF	Slow-blow fuse	Mi	Middle (Position)
ISC	Idle speed control	INT	Intermittent (Position)
M	Motor	FRE/REC	FRESH/RECIRC
SW	Switch	MT	Manual transmission
OP	Optional part/Open	S	Shaft
AT	Automatic transmission	SR	Sunroof
M/B	Main fuse box	F	Front
F/B	Fuse & relay box	R	Rear
A/C	Air conditioning	Air bag	Airbag
SMJ	Super multiple junction	A/S	Air suspension
VDC	Vehicle dynamic control	Illumi.	Illumination

WIRING DIAGRAM

9. System wiring diagram



A: RELAY

A symbol used to indicate a relay.

B: WIRING CONNECTION

For easy viewing, the diagrams are enlarged. When a single diagram requires multiple pages, numbers in circles (Ex: ① - ①) are shown at the page borders to indicate diagram continuity.

C: FUSE No. & RATING

The "FUSE No. & RATING" corresponds with that used in the fuse box (main fuse box, fuse and joint box).

D: CONNECTOR

- Each connector is indicated by a symbol.
- Each terminal number is indicated in the corresponding wiring diagram in an abbreviated form.
- For example, terminal number "C2" refers to No. 2 terminal of connector (C: F41) shown in the connector sketch.

E: BRANCHING DESTINATIONS

Power supply and signal-line branching destinations for other systems are shown.
Refer to the circuit route during inspection.

F: CONNECTOR SKETCH

- Each connector sketch clearly identifies the shape and color of a connector as well as terminal locations. Non-colored connectors are indicated in natural color.
- When more than two types of connector number are indicated in a connector sketch, it means that the same type connectors are used.

G: GROUND

Each grounding point can be located easily by referring to the corresponding wiring harness.

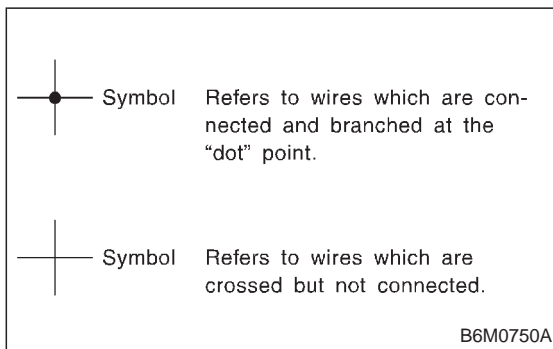
H: DIODE

A symbol is used to indicate a diode.

I: WIRE TRACING ON EXTENDED WIRING DIAGRAMS

For a wiring diagram extending over at least two pages, a symbol (consisting of the same characters with arrows), facilitates wire tracing from one page to the next.

A ↔ A, B ↔ B



J: SYMBOL OF WIRE CONNECTION AND CROSSING

K: POWER SUPPLY ROUTING

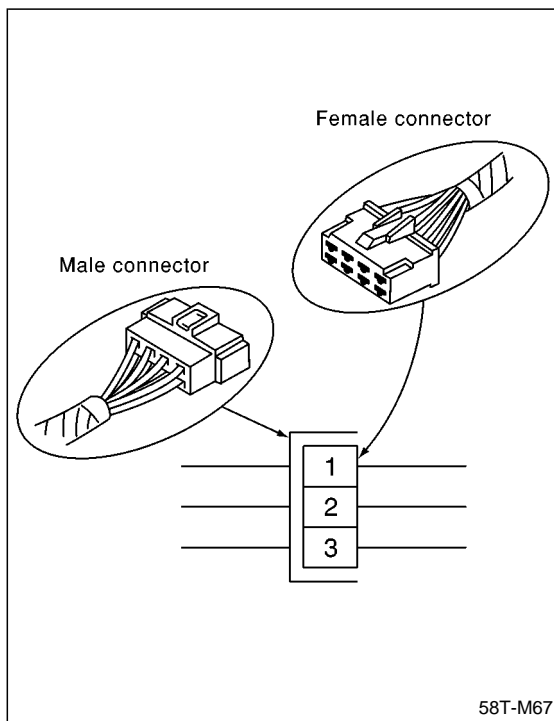
A symbol is used to indicate the power supply in each wiring diagram.

“MB-5”, “MB-6”, etc., which are used as power supply symbols throughout the text, correspond with those shown in the POWER SUPPLY ROUTING in the wiring diagram.

Accordingly, using the POWER SUPPLY ROUTING and wiring diagrams permits service personnel to understand the entire electrical arrangement of a system.

L: SYMBOLS AND ABBREVIATIONS

A number of symbols and abbreviations are used in each wiring diagram to easily identify parts or circuits.



M: CONNECTOR MARKINGS

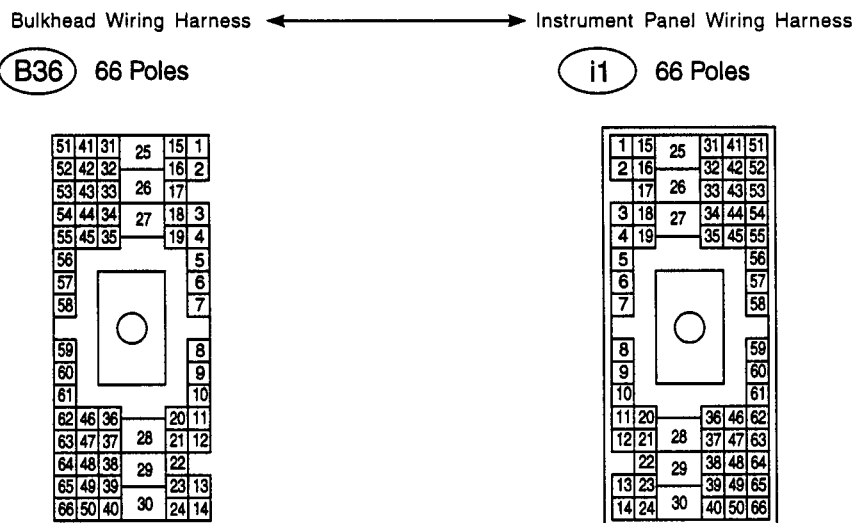
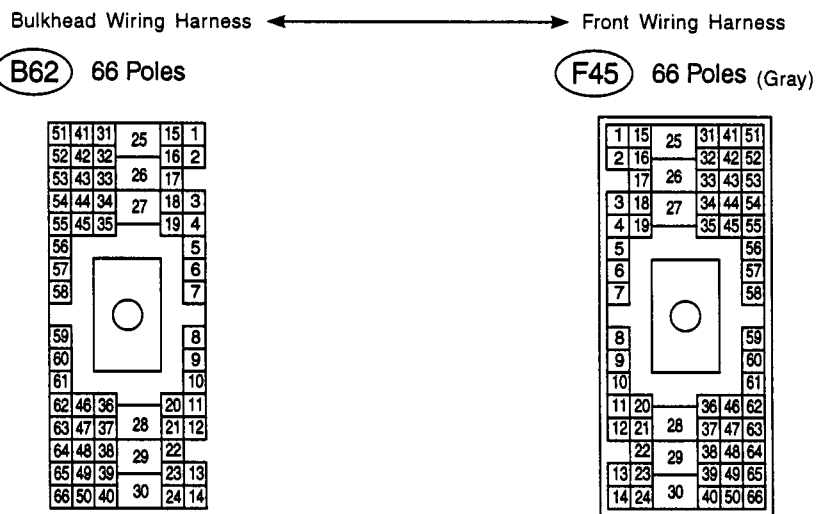
Individual connector symbols make it easy to determine whether a connector is male or female.

WIRING DIAGRAM

N: HOW TO USE SUPER MULTIPLE JUNCTION (SMJ)

The "SMJ" indicated in wiring diagrams is shown in a simplified form.

1. TERMINAL ARRANGEMENT



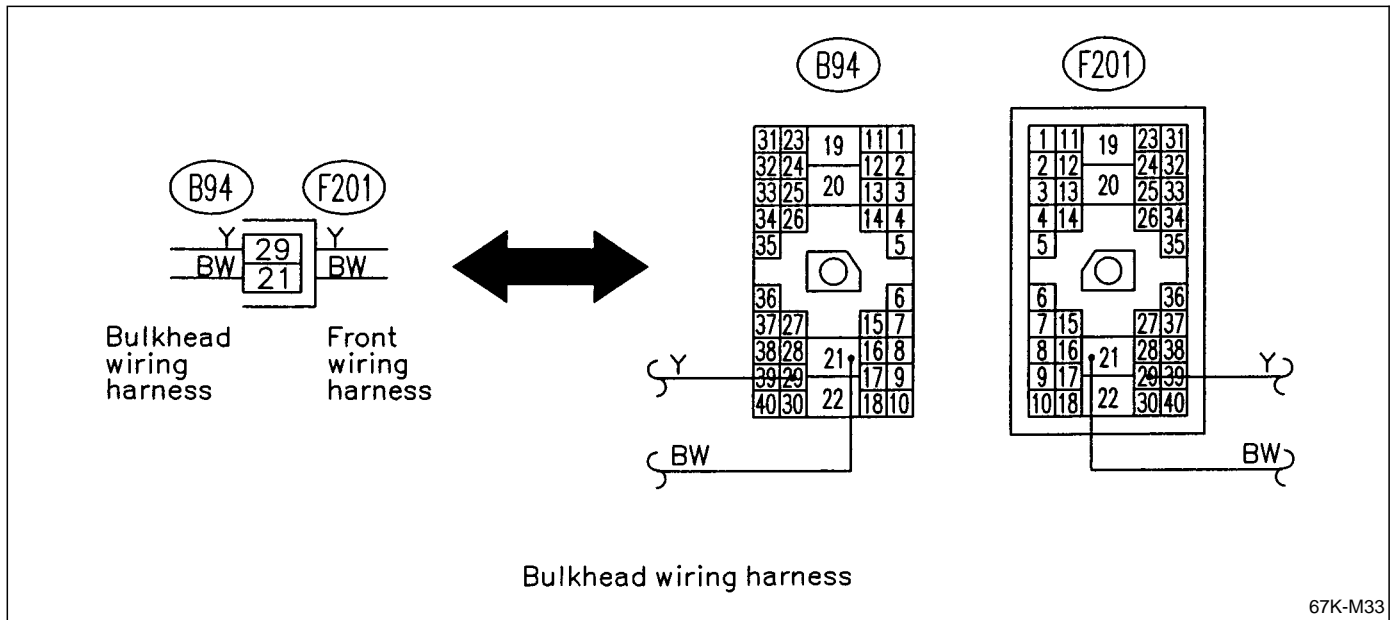
WIRING DIAGRAM

2. INSTALLATION

NOTE:

- Align the cutout portion of one connector with that of other before tightening the connecting bolt.
- Do not tighten the bolt excessively since this may deform the connectors.

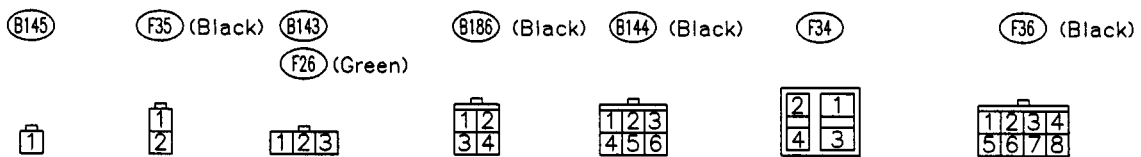
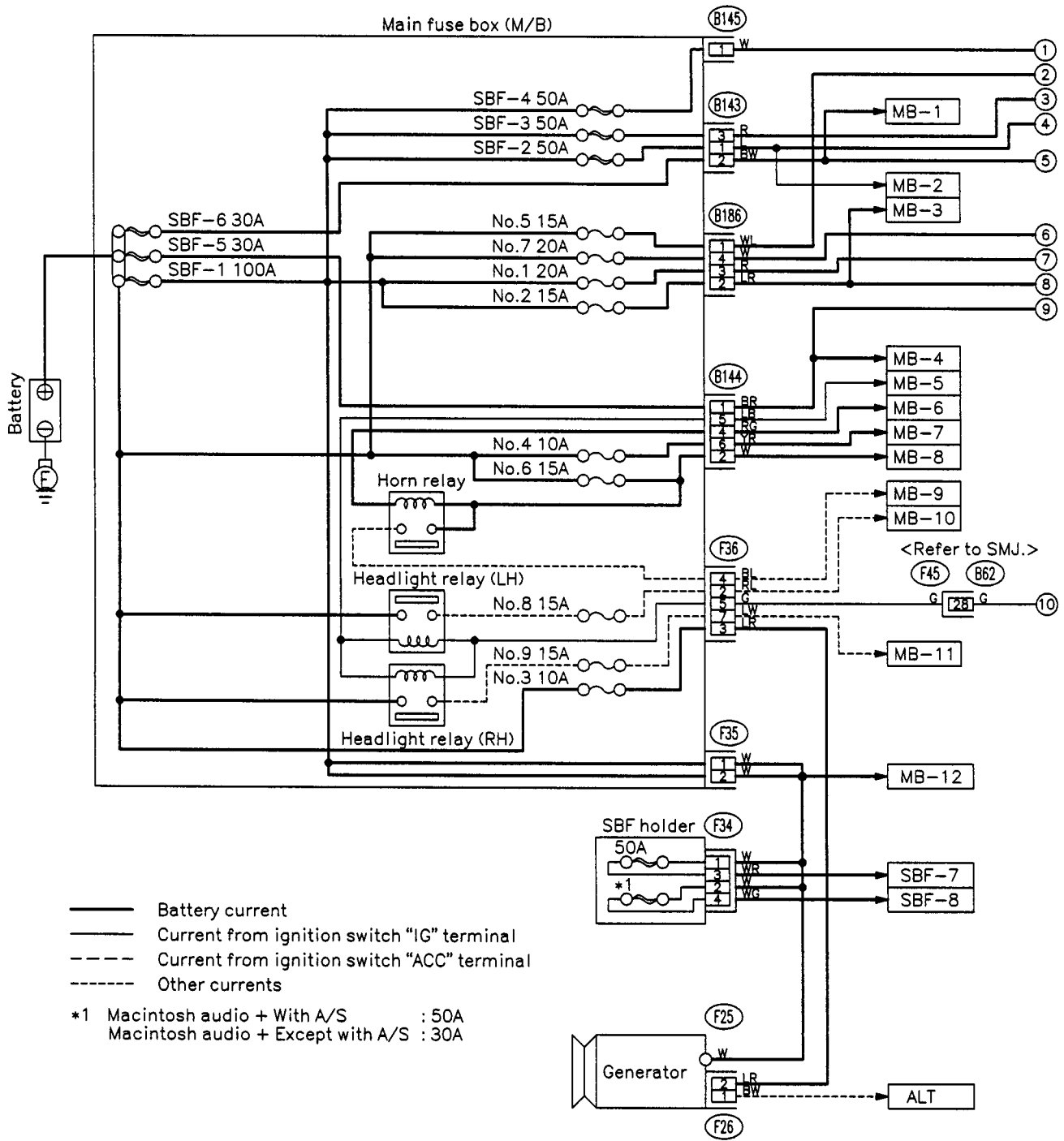
3. EXPLANATION OF SMJ SHOWN IN THE WIRING DIAGRAM



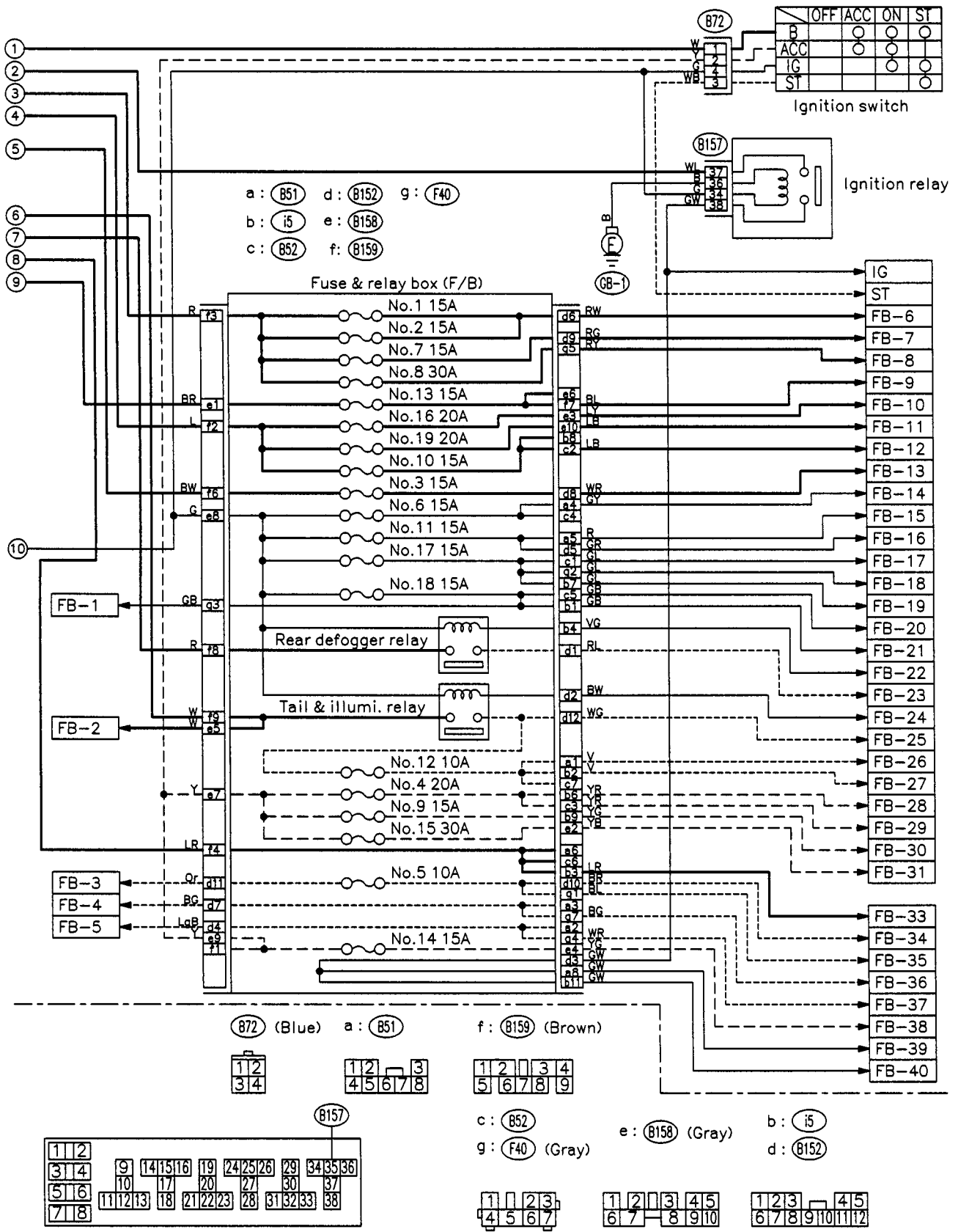
WIRING DIAGRAM

2. Wiring Diagram

(1) POWER SUPPLY ROUTING



WIRING DIAGRAM



WIRING DIAGRAM

No.	Load
MB-1	Power window circuit breaker
MB-2	Accessory power supply fuse
MB-3	Door lock timer Key reminder module Key switch illumination Keyless entry control module Luggage room light Room light Step light LH Step light RH Stop light
MB-4	Engine control module Ignition relay
MB-5	Combination switch (Light switch)
MB-6	Cruise control sub switch Horn switch
MB-7	AT control module Height control module VDC control module
MB-8	AT shift lock control module Hazard switch Key wiring switch
MB-9	Horn
MB-10	Headlight LH
MB-11	Combination meter (HI-beam pilot light) Headlight RH
MB-12	Air conditioning relay holder (Fuse)
SFB-7	ABS control module and hydraulic module VDC hydraulic module
SFB-8	A/S compressor and discharge solenoid Fuse (Macintosh audio)
ALT	Combination meter (Charge pilot light) Height control module
IG	Check connector Cornering light relay Key reminder module Vehicle speed sensor (MT)
ST	Cruise control module Engine control module Inhibitor range switch Starter motor (MT)

No.	Load
FB-1	ABS control module and hydraulic module Front fog light relay Main fan motor VDC control module
FB-2	Combination switch (Parking light switch)
FB-3	Combination switch (Parking light switch)
FB-4	Combination switch (Turn signal pilot light LH) Hazard switch Rear turn signal light LH Side turn signal light LH
FB-5	Combination meter (Turn signal pilot light RH) Combination switch (Turn signal switch) Hazard switch Rear turn signal light RH
FB-6	Blower motor relay
FB-7	Front fog light relay NAVI system
FB-8	ABS control module and hydraulic module VDC control module
FB-9	Fuel pump relay
FB-10	Stop light switch
FB-11	Mirror heater relay Wiper deicer relay
FB-12	A/S compressor and discharge A/S compressor relay A/S solenoid Cargo fan relay
FB-13	Door lock timer Keyless buzzer Keyless entry control module
FB-14	Airbag control module
FB-15	Airbag control module
FB-16	AT control module Engine control module Fuel pump relay Ignition coil and igniter
FB-17	Blower fan relay Intake actuator (Manual A/C) Mode actuator (Manual A/C)

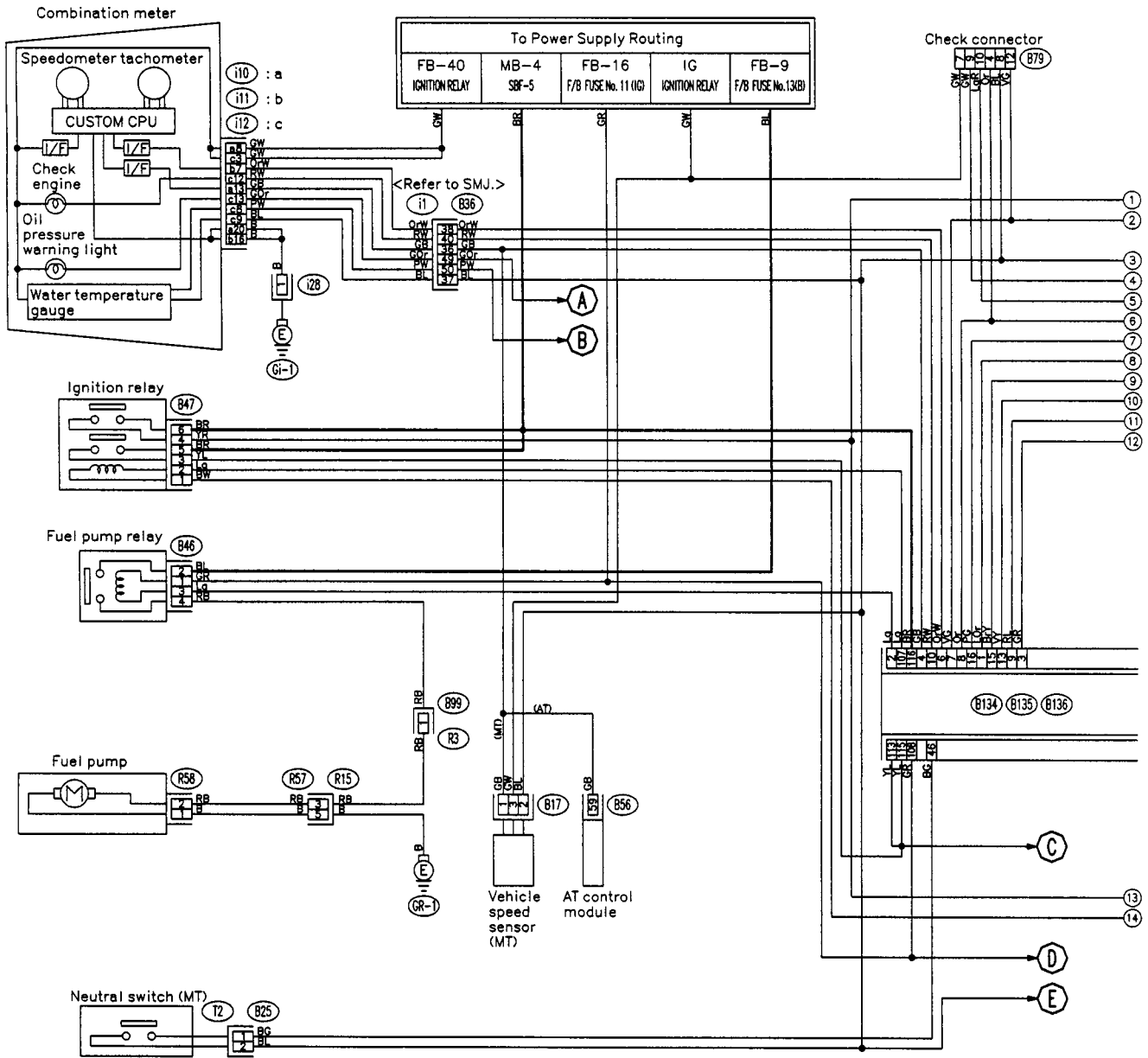
WIRING DIAGRAM

No.	Load
FB-18	A/C relay holder (A/C relay) A/C relay holder (Sub fan relay) HI-Lo pressure switch
FB-19	Auto A/C connector module Auto A/C switch Blower module (Auto A/C) Heater control module (Manual A/C)
FB-20	AT shift lock control module Back-up light switch (MT) Cruise control module Height control switch Height control module Inhibitor range switch (AT back-up) Mirror heater relay Muffler control module Power steering module Power window relay Tension reducer LH Tension reducer RH Wiper deicer relay Wiper deicer timer
FB-21	Cargo fan switch Cruise control main switch Front fog light switch
FB-22	Auto A/C control module Heater control panel (Manual A/C)
FB-23	Rear defogger Rear defogger condenser
FB-24	Front fog light switch Lighting switch
FB-25	Headlight leveler LH Headlight leveler RH Headlight leveler switch Parking light switch
FB-26	AT power and hold mode switch illumination AT select lever illumination HID relay License plate light LH License plate light RH Seat heater switch LH illumination Seat heater switch RH illumination

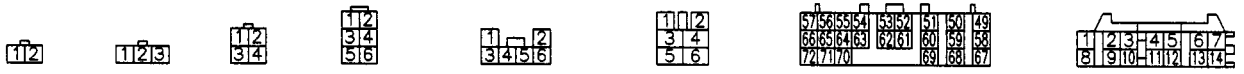
No.	Load
FB-27	Headlight leveler switch Instrument harness illumination system
FB-28	Auto A/C control module Cigarette lighter
FB-29	AT shift lock control module Remote controlled review mirror system Seat heater accessory power supply relay
FB-30	Audio NAVI system
FB-31	Front washer motor Front wiper motor Front wiper switch
FB-33	Audio Auto A/C control module Combination meter (Door wiring light) NAVI system
FB-34	Rear combination light LH Rear combination light RH Rear finisher light LH Rear finisher light RH
FB-35	Front clearance light LH Front clearance light RH
FB-36	Front turn signal light LH
FB-37	Front turn signal light RH Side turn signal light RH
FB-38	Rear washer motor Rear wiper intermittent module Rear wiper motor Rear wiper relay (Without intermittent)
FB-39	Cargo fan actuator Cargo fan relay
FB-40	Combination meter Hazard switch NAVI system

WIRING DIAGRAM

(2) ENGINE CONTROL SYSTEM (SOHC)



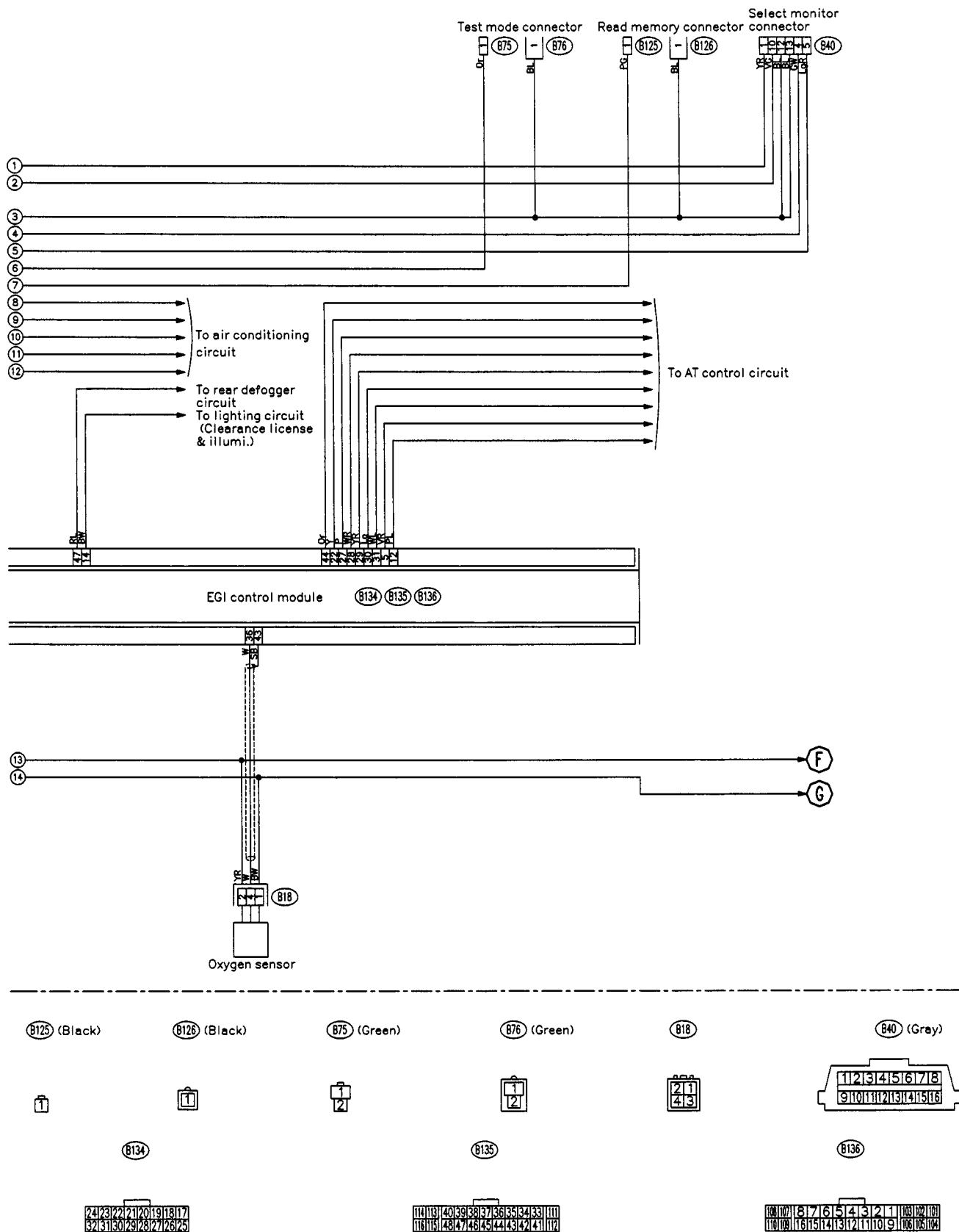
(B25) (Brown) (B17) (B46) (Green) (R58) (R57) (Black) (B47) (Brown) (B56) (Green) (B79) (Gray)



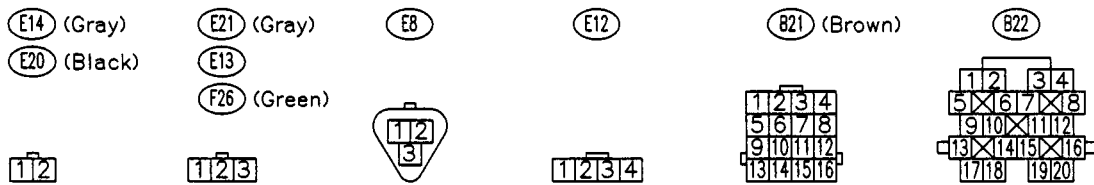
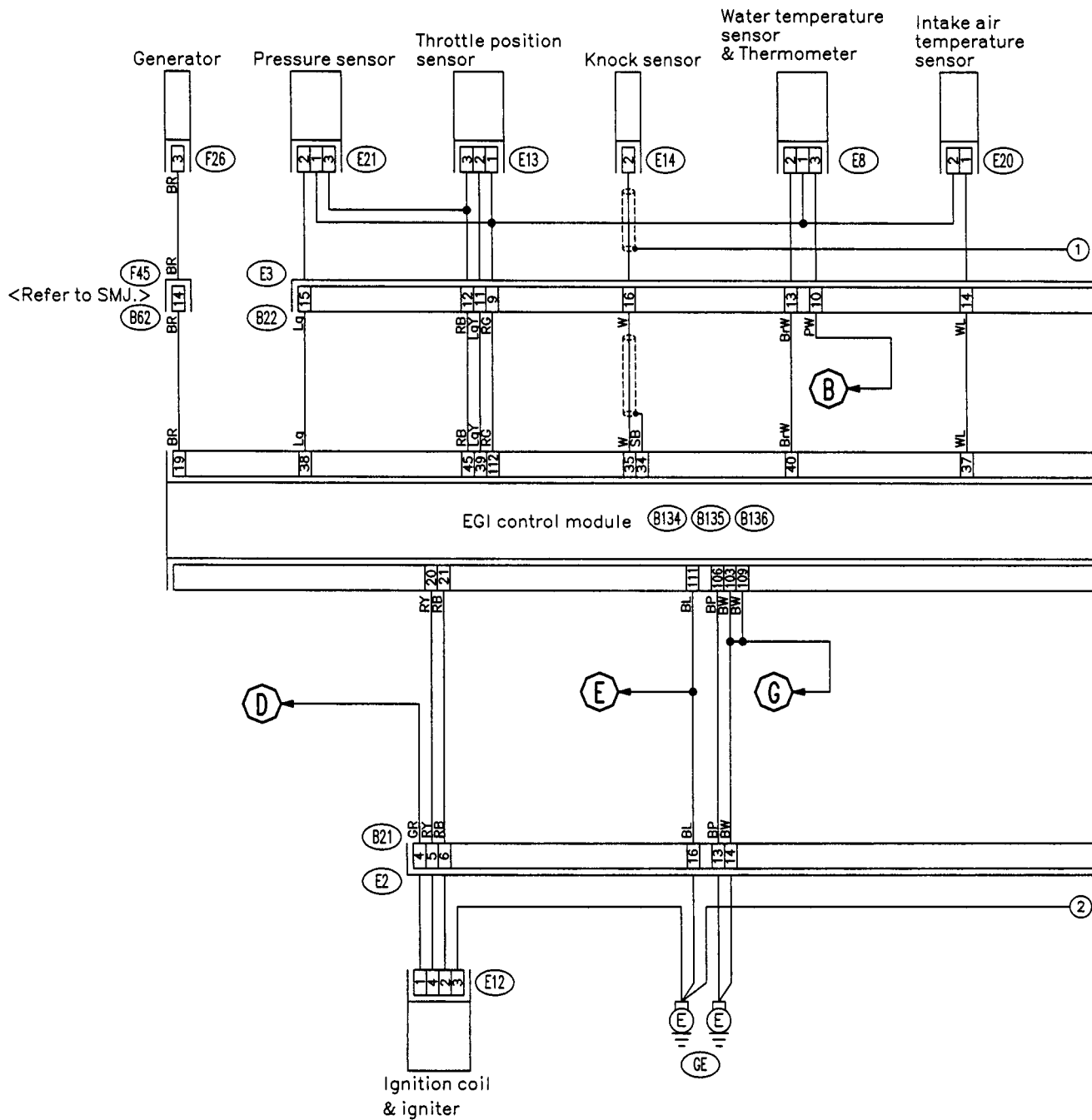
(I10) (I12) (I11) (R3)



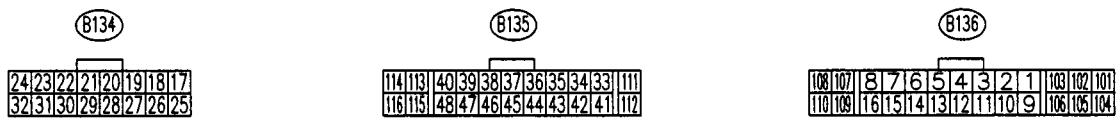
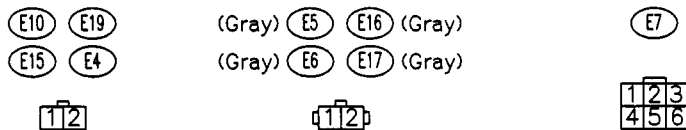
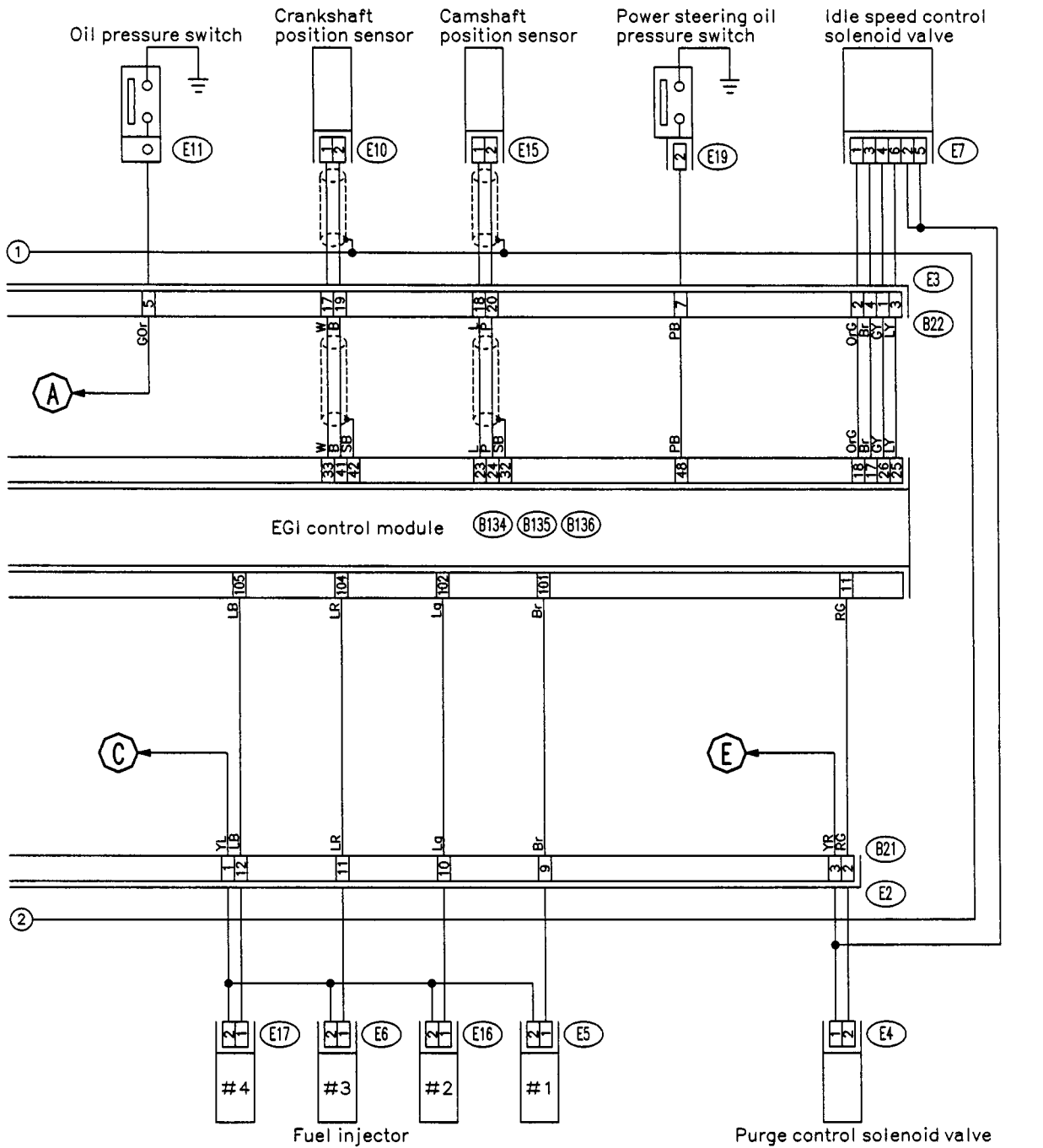
WIRING DIAGRAM



WIRING DIAGRAM

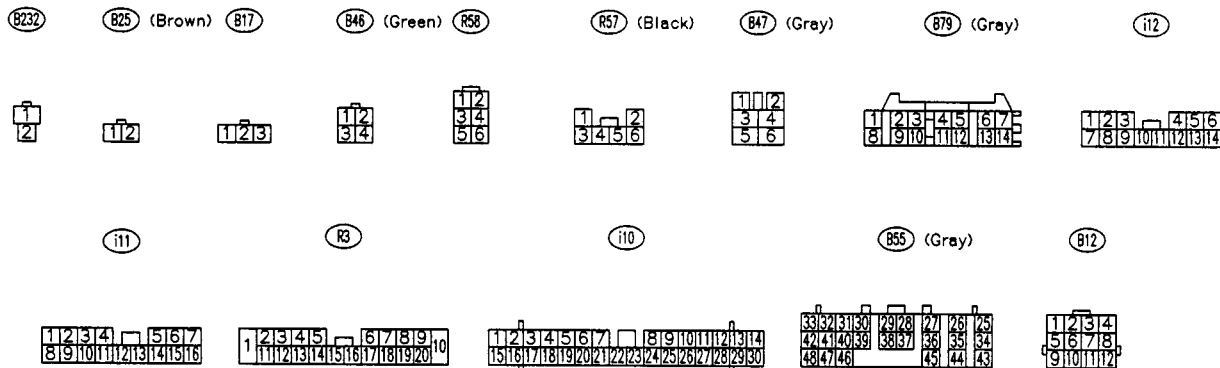
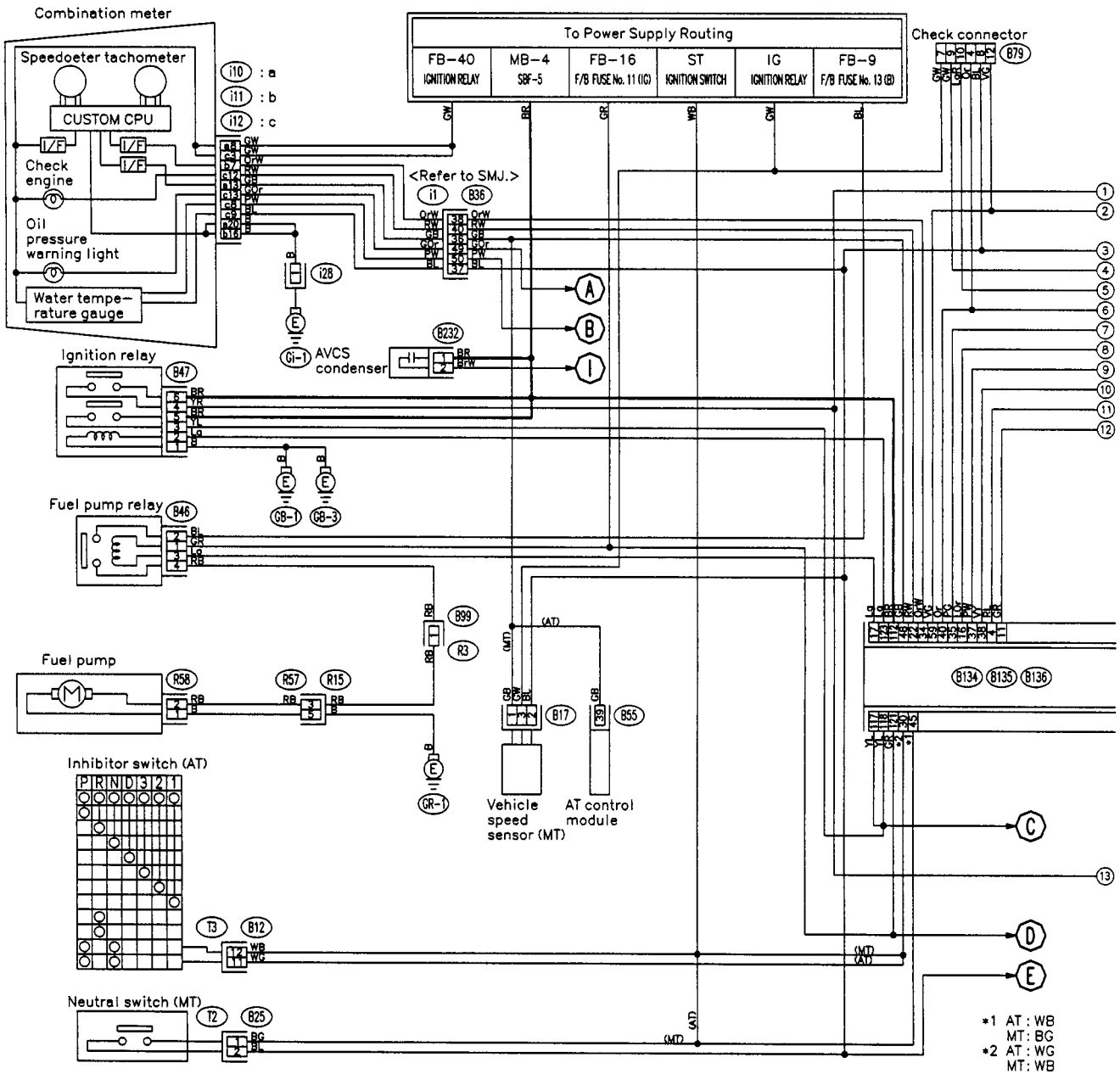


WIRING DIAGRAM

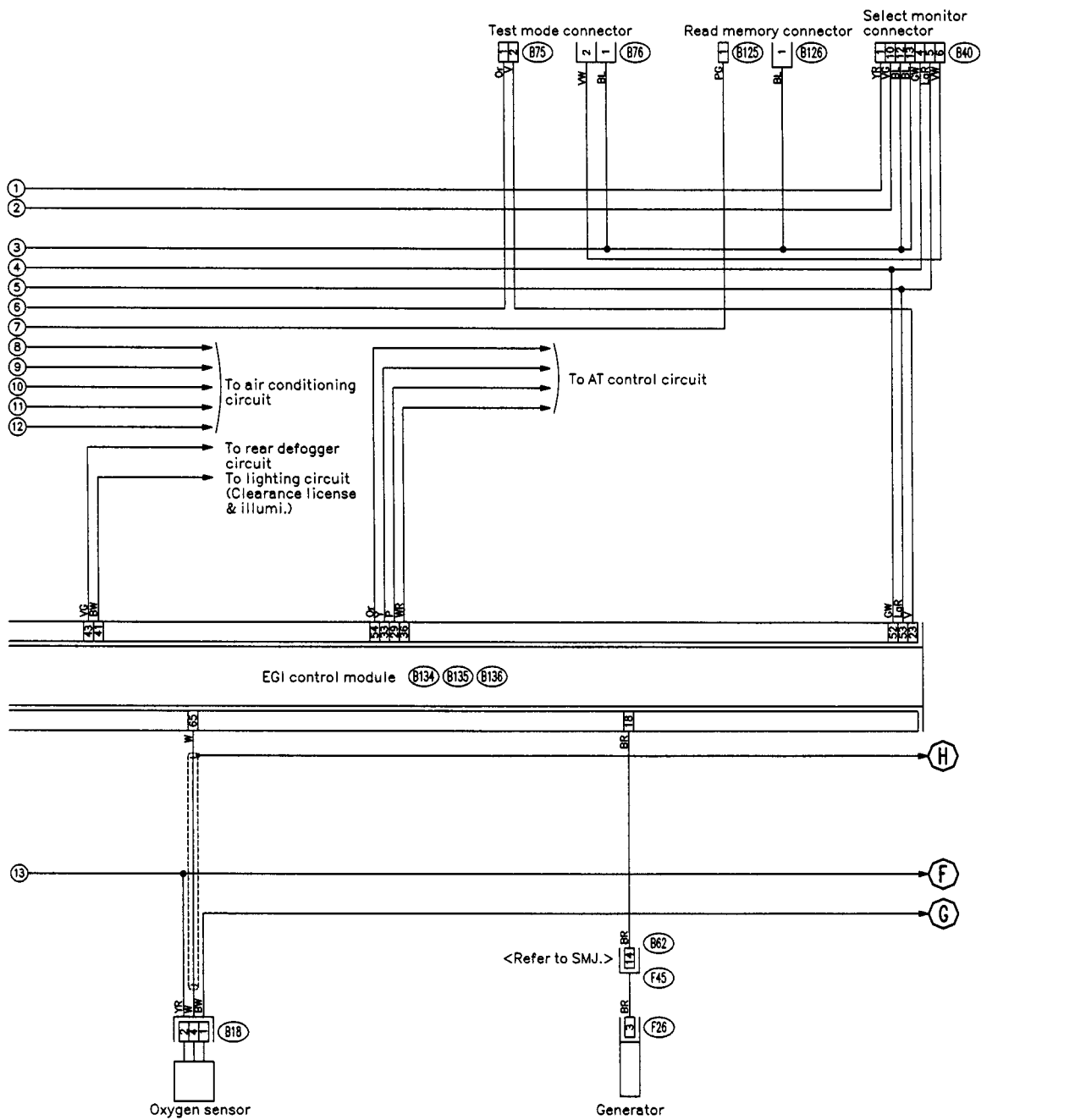


WIRING DIAGRAM

(3) ENGINE CONTROL SYSTEM (2.0 l DOHC NA)



WIRING DIAGRAM



B125 (Black)
 B126 (Black)
 B75 (Green)
 B76 (Green)
 B18
 B40 (Grey)



F26 (Green)

B134 (Blue)

B135 (Grey)

B136 (Black)

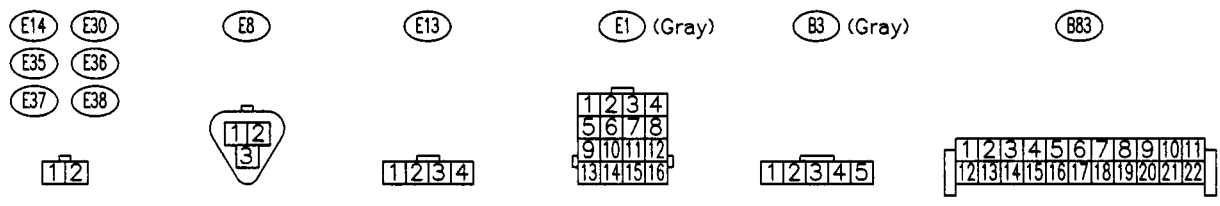
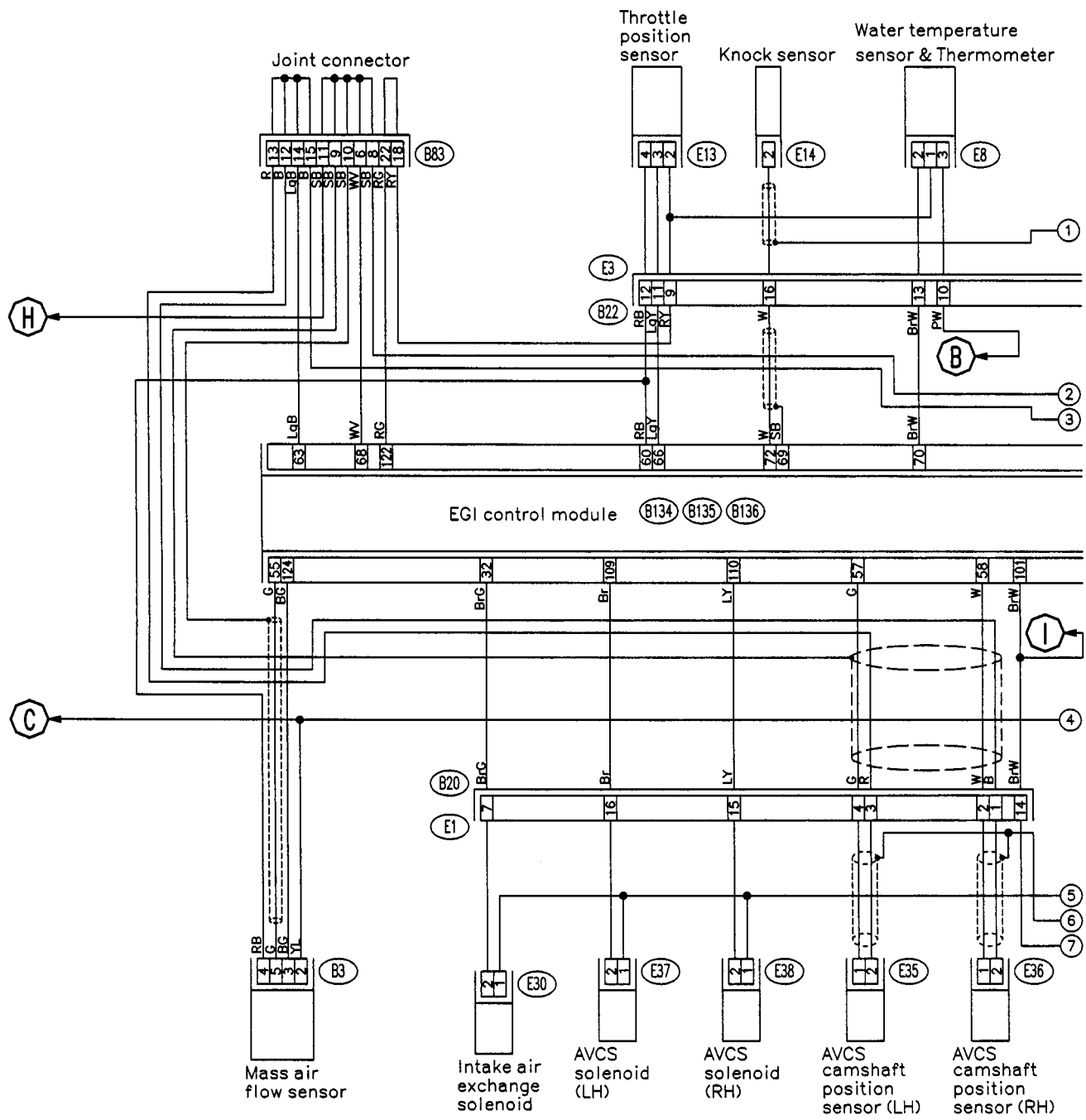
1	2	3
---	---	---

55	54	53	52	51	50	49	118	117
62	61	60	59	58	57	56	120	119
67	66	65	64	63	172	171		
172	171	170	169	168	174	173		

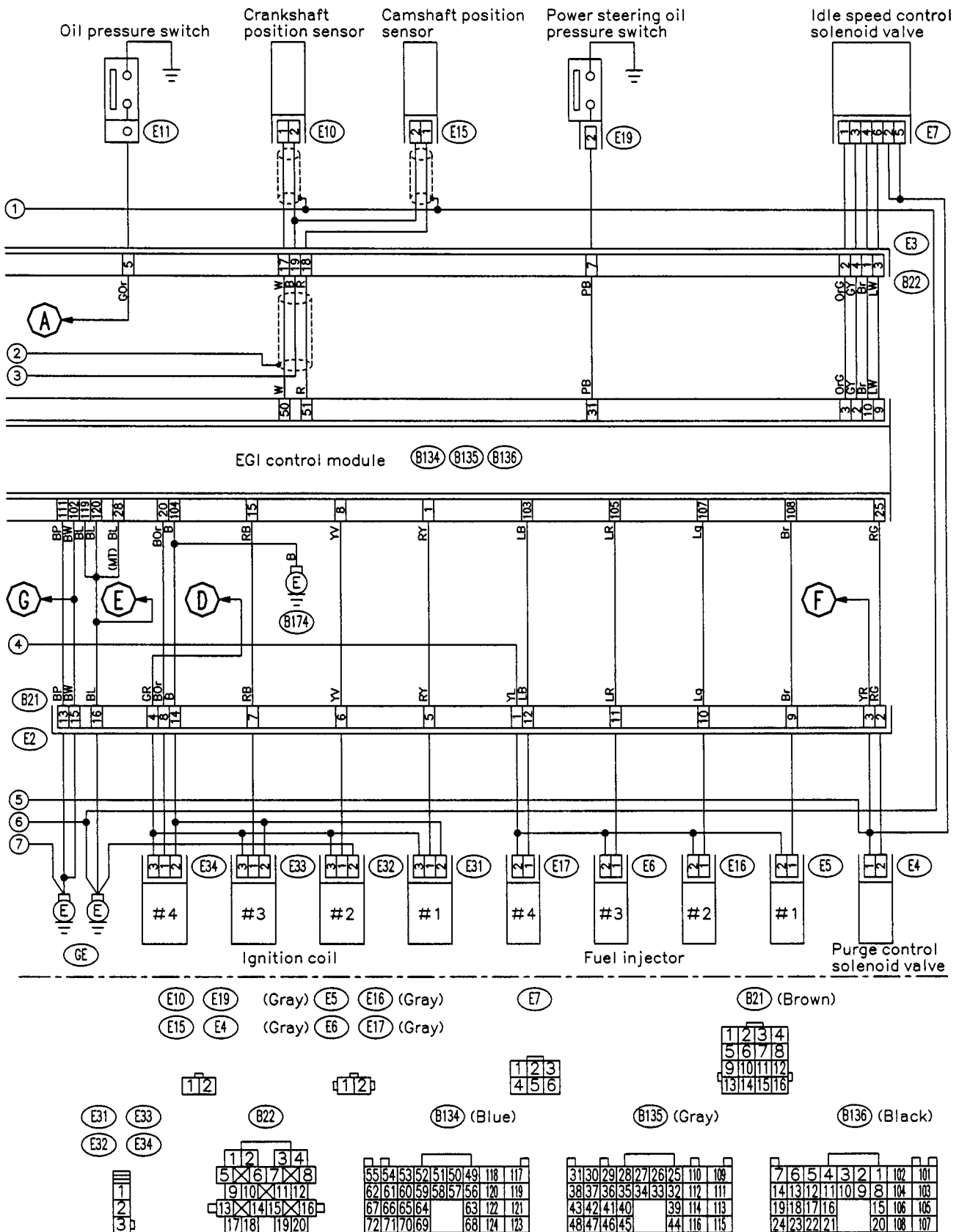
31	30	29	28	27	26	25	110	109
38	37	36	35	34	33	32	112	111
43	42	41	40	39	114	113		
48	47	46	45	44	116	115		

7	6	5	4	3	2	1	102	101
14	13	12	11	10	9	8	104	103
19	18	17	16	15	106	105		
24	23	22	21	20	108	107		

WIRING DIAGRAM

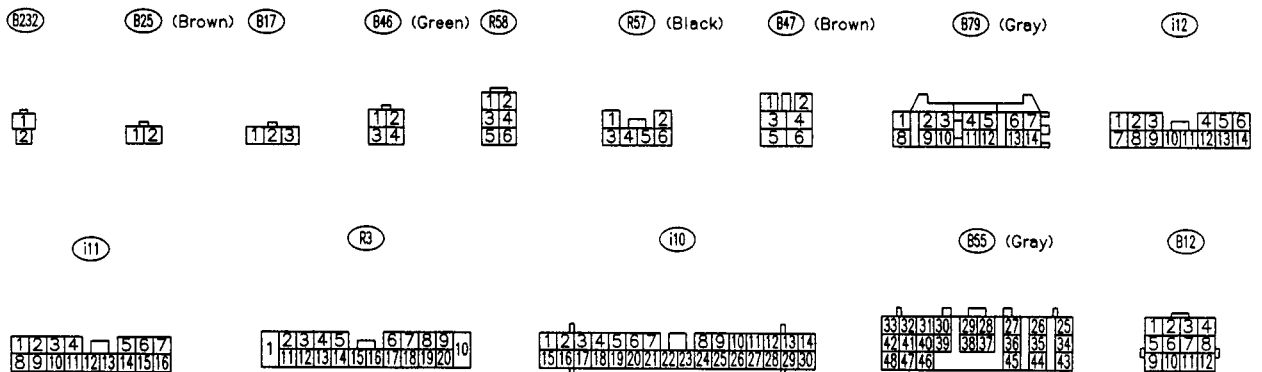
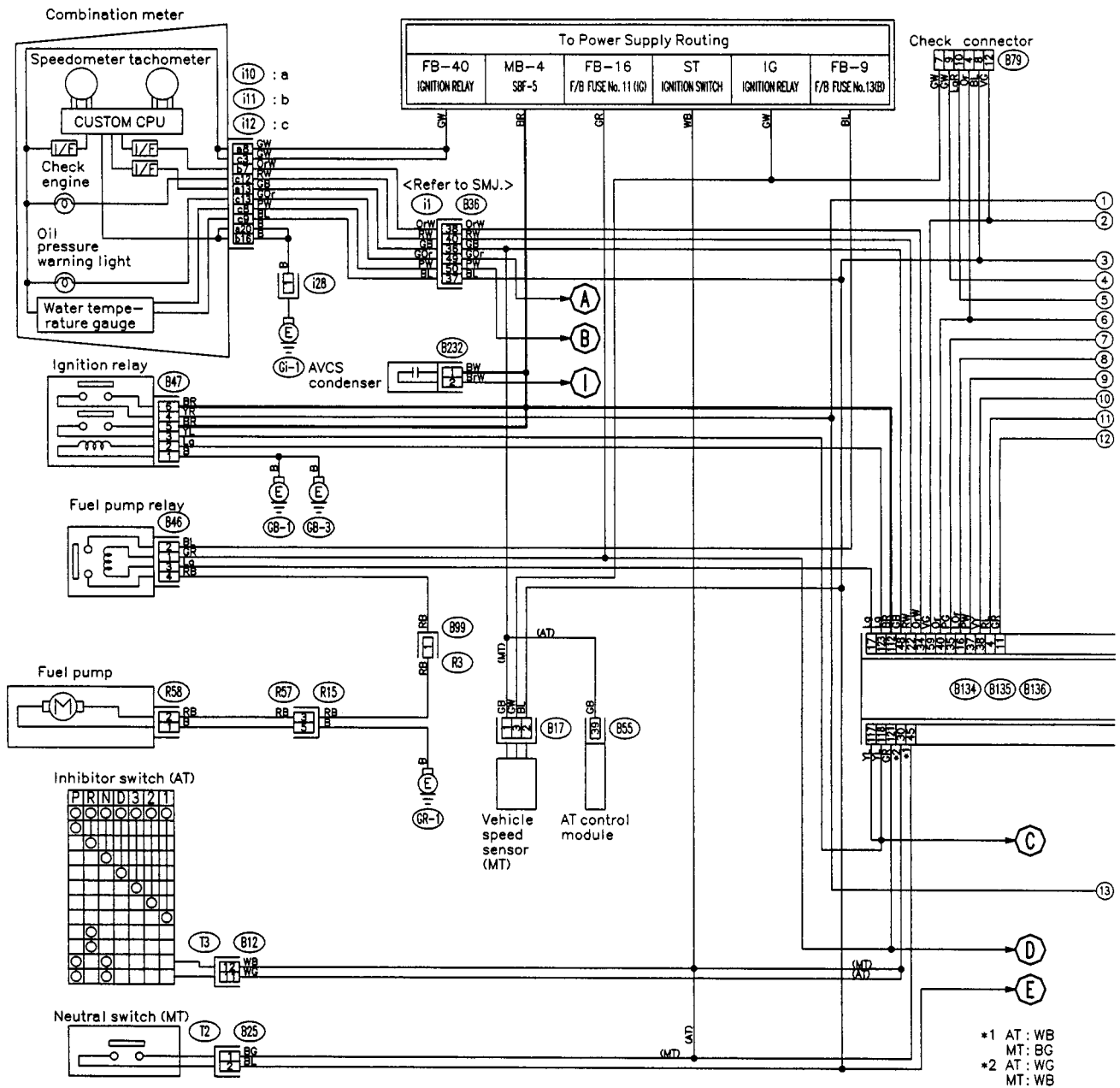


WIRING DIAGRAM

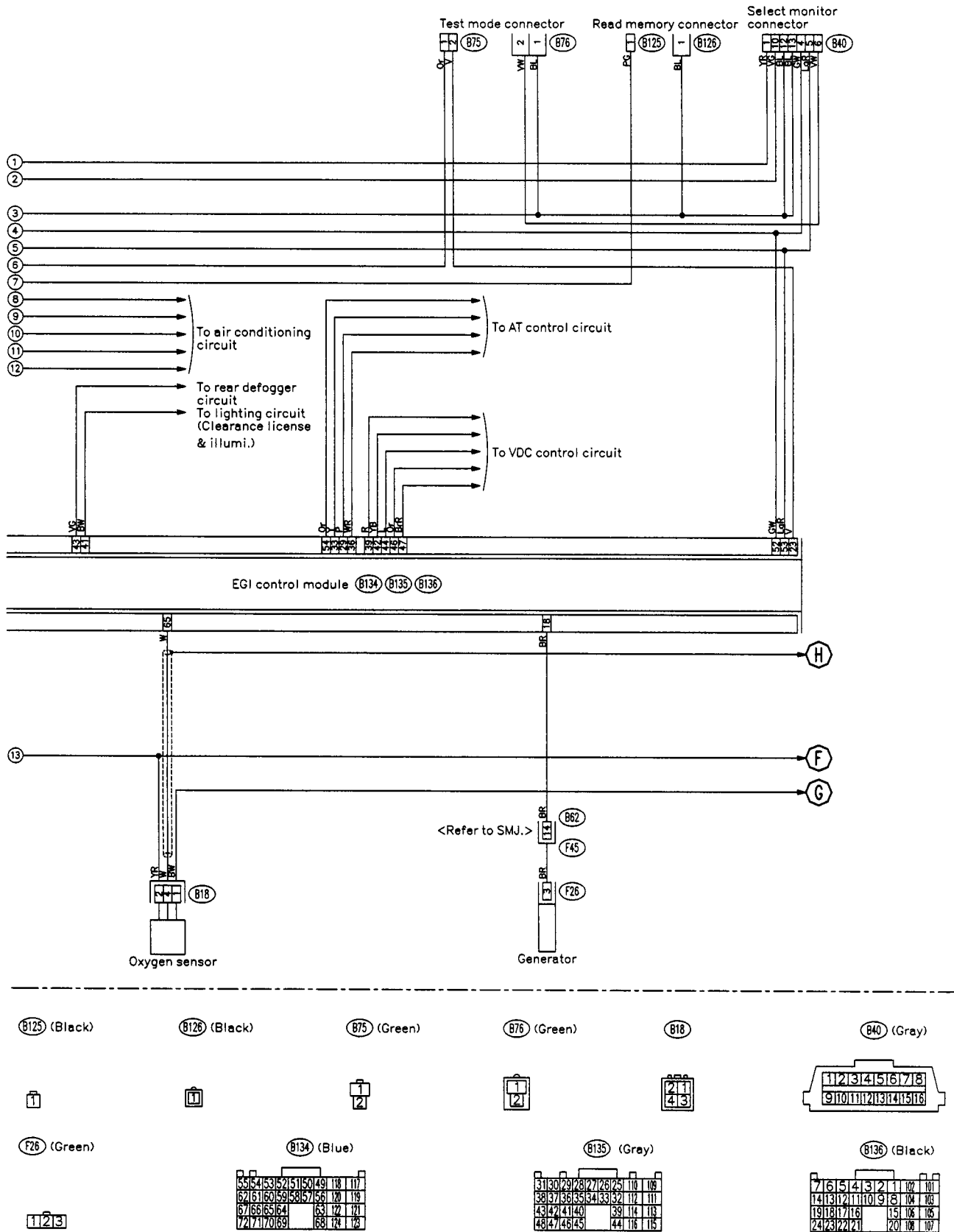


WIRING DIAGRAM

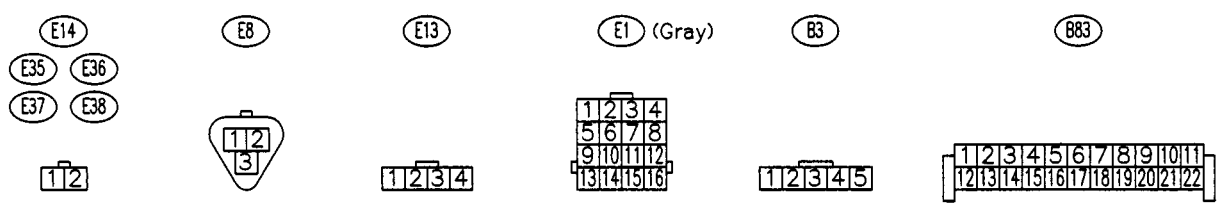
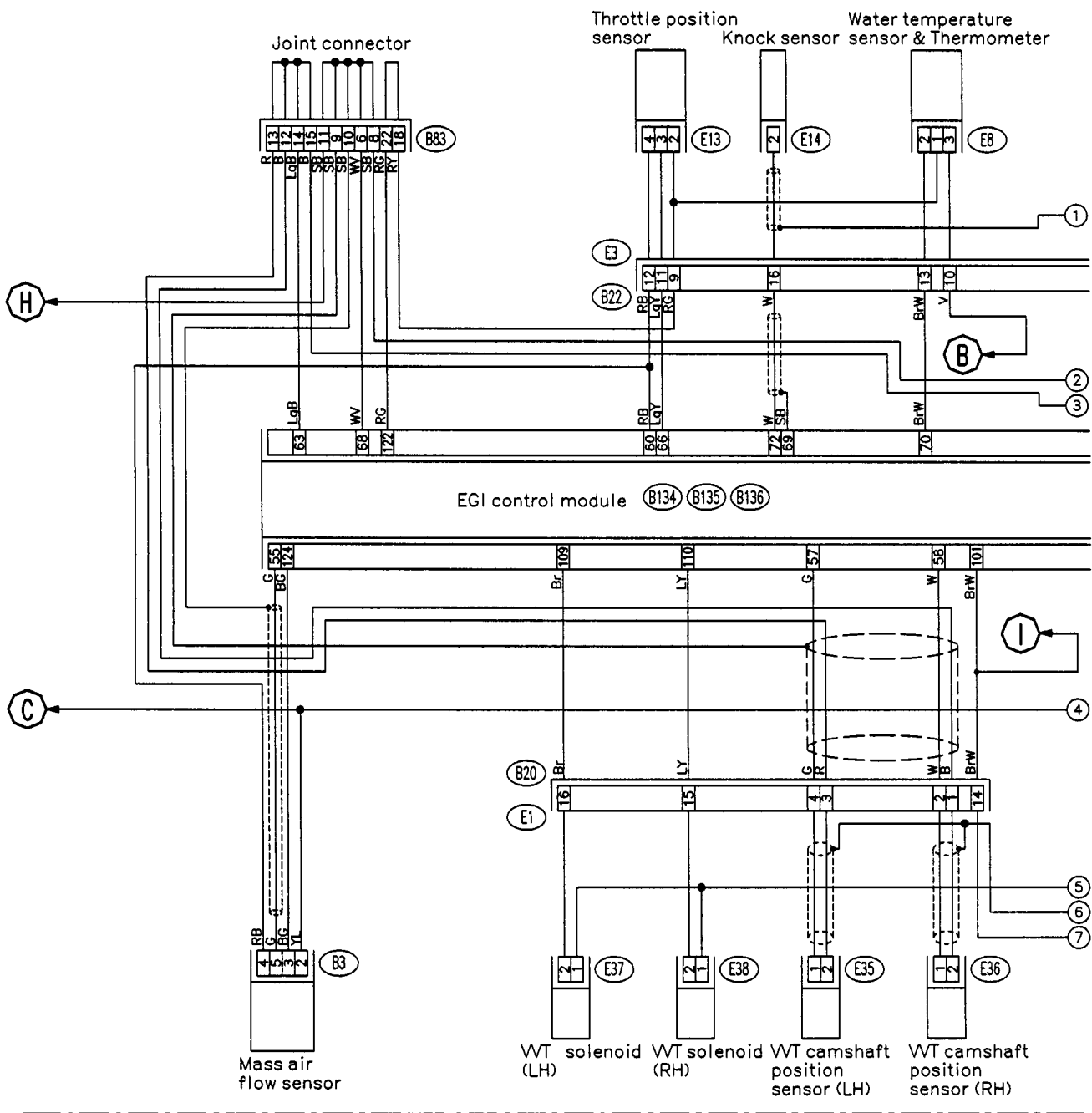
(4) ENGINE CONTROL SYSTEM (2.5 l)



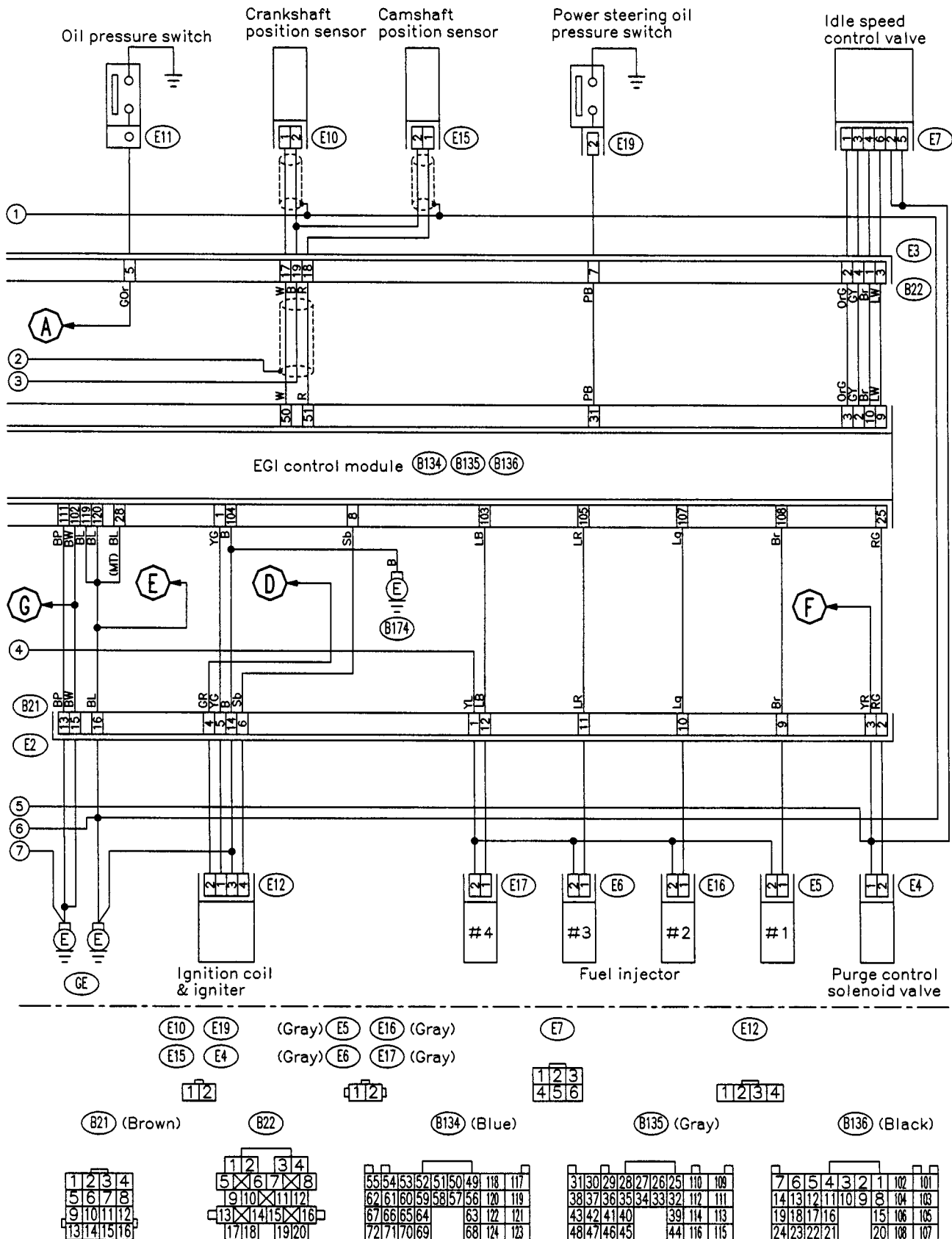
WIRING DIAGRAM



WIRING DIAGRAM

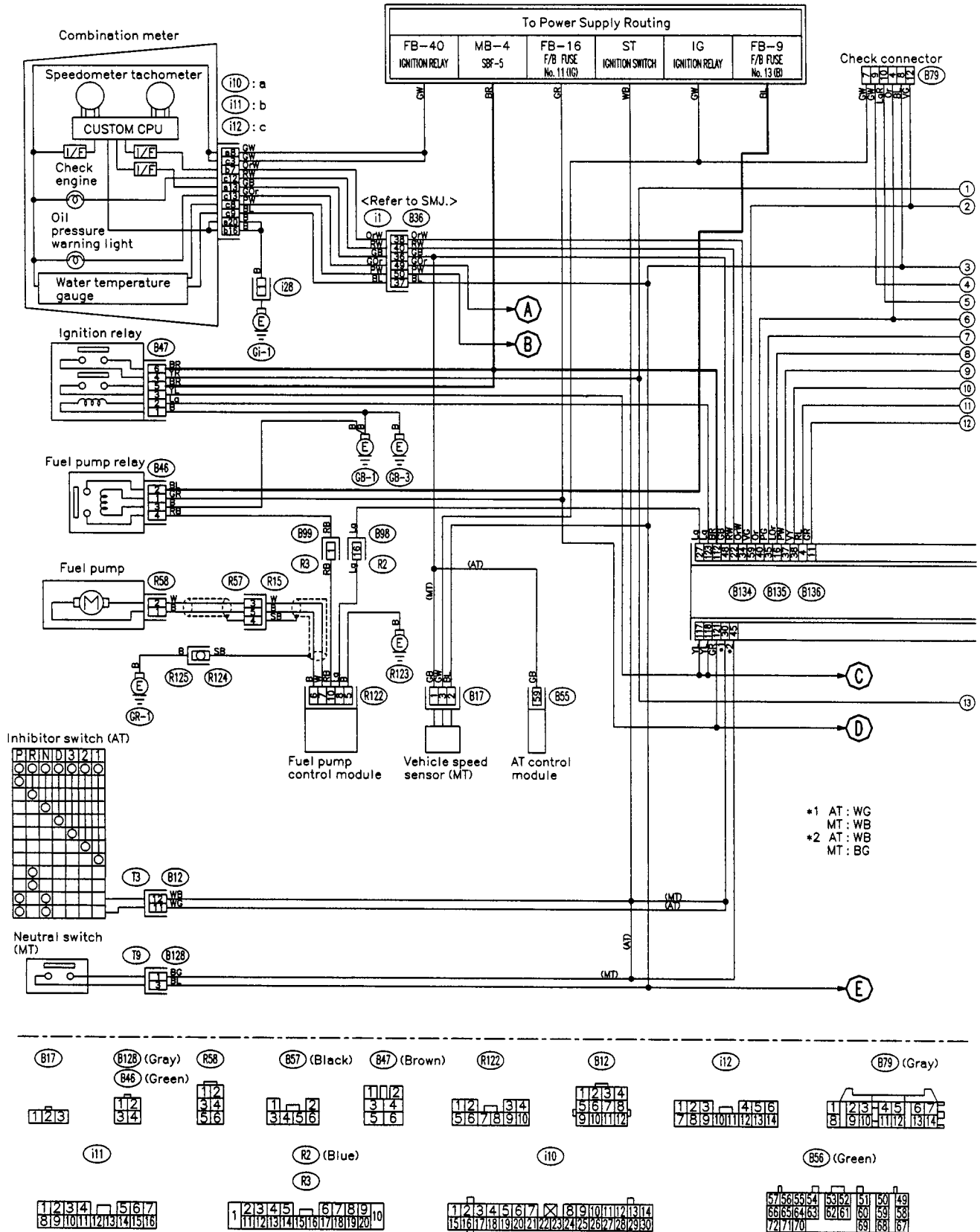


WIRING DIAGRAM

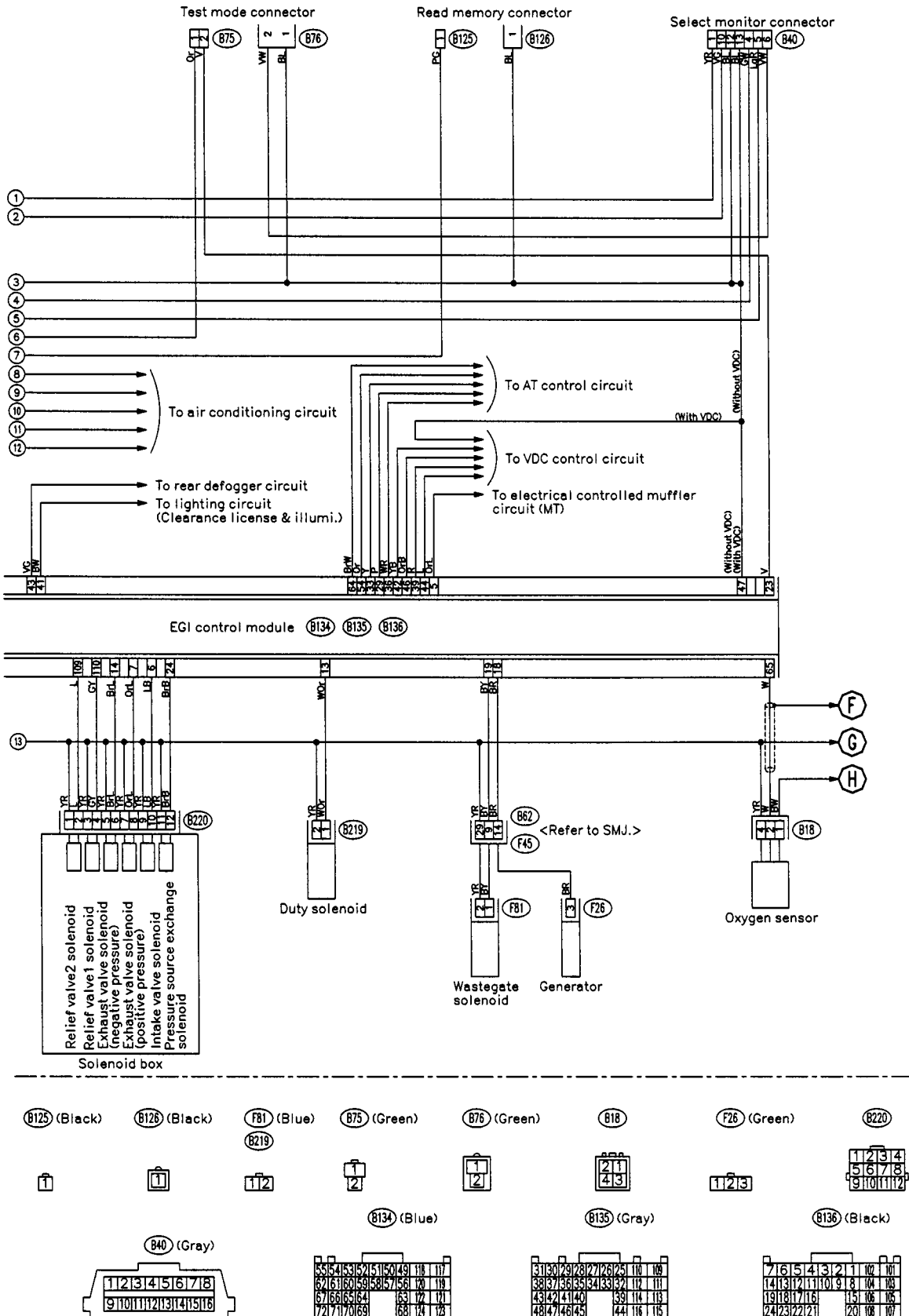


WIRING DIAGRAM

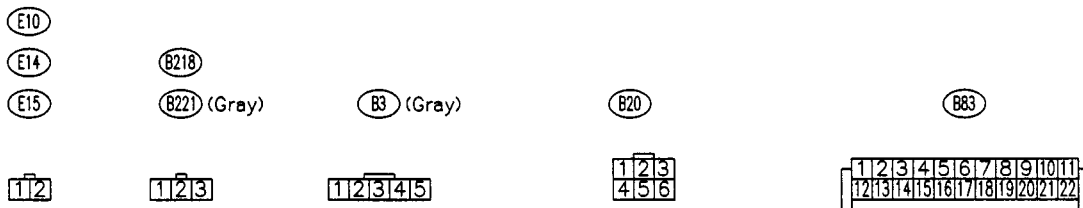
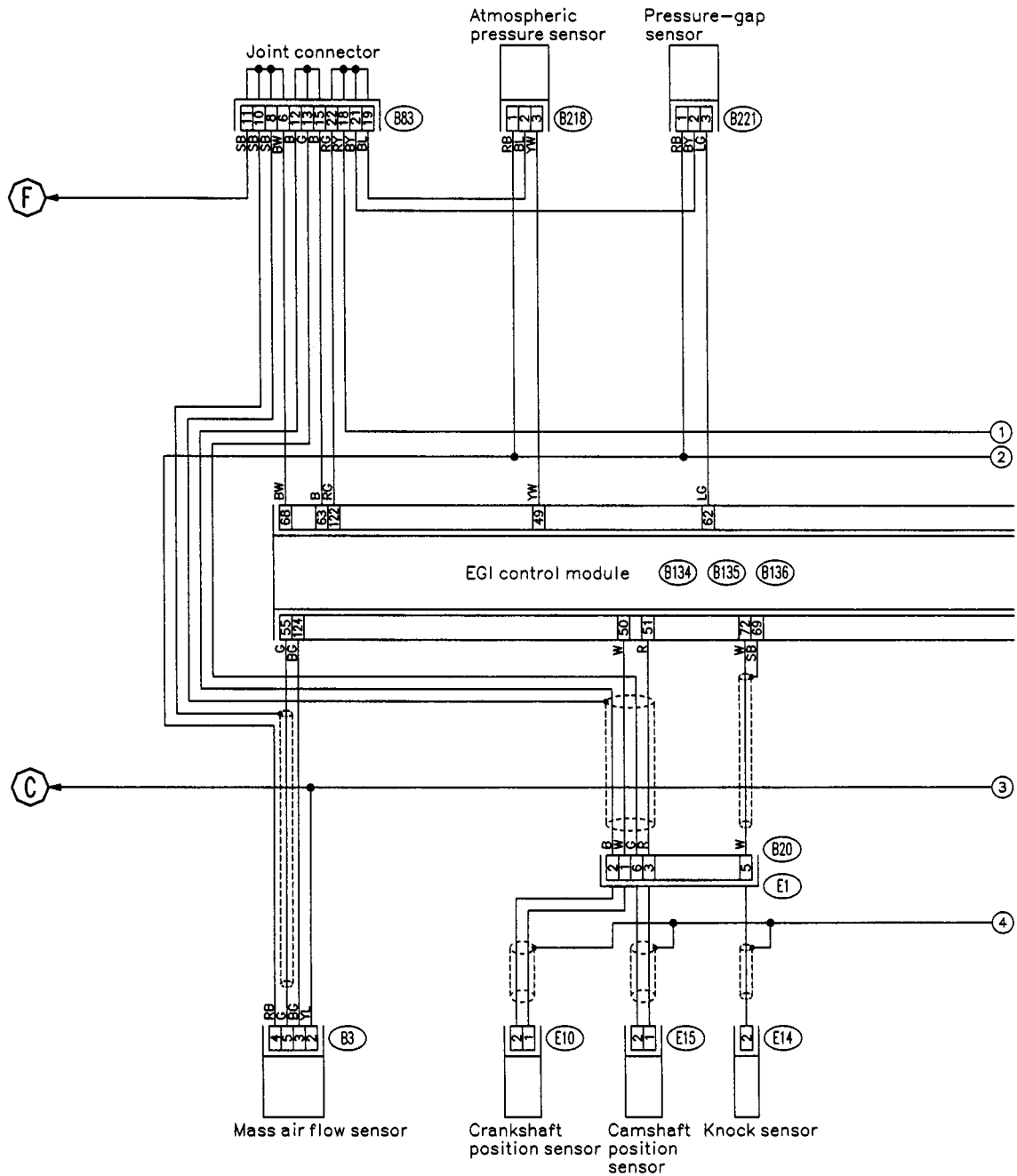
(5) ENGINE CONTROL SYSTEM (Turbo vehicle)



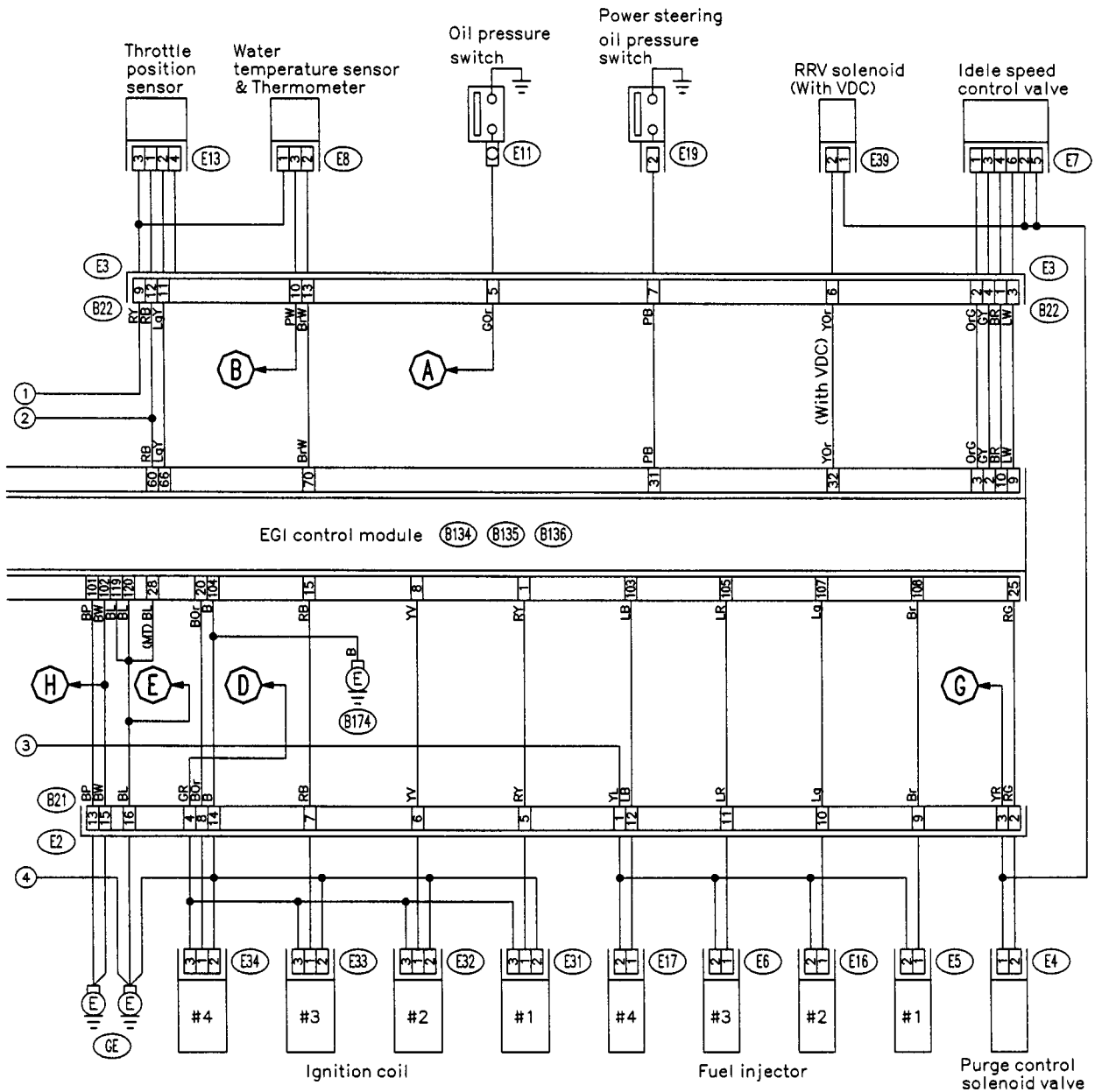
WIRING DIAGRAM



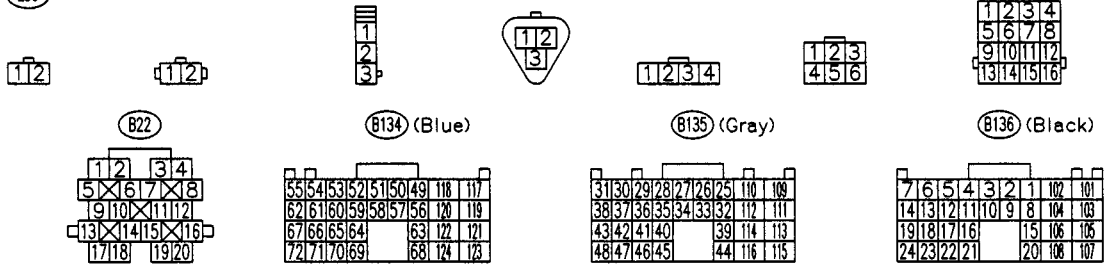
WIRING DIAGRAM



WIRING DIAGRAM

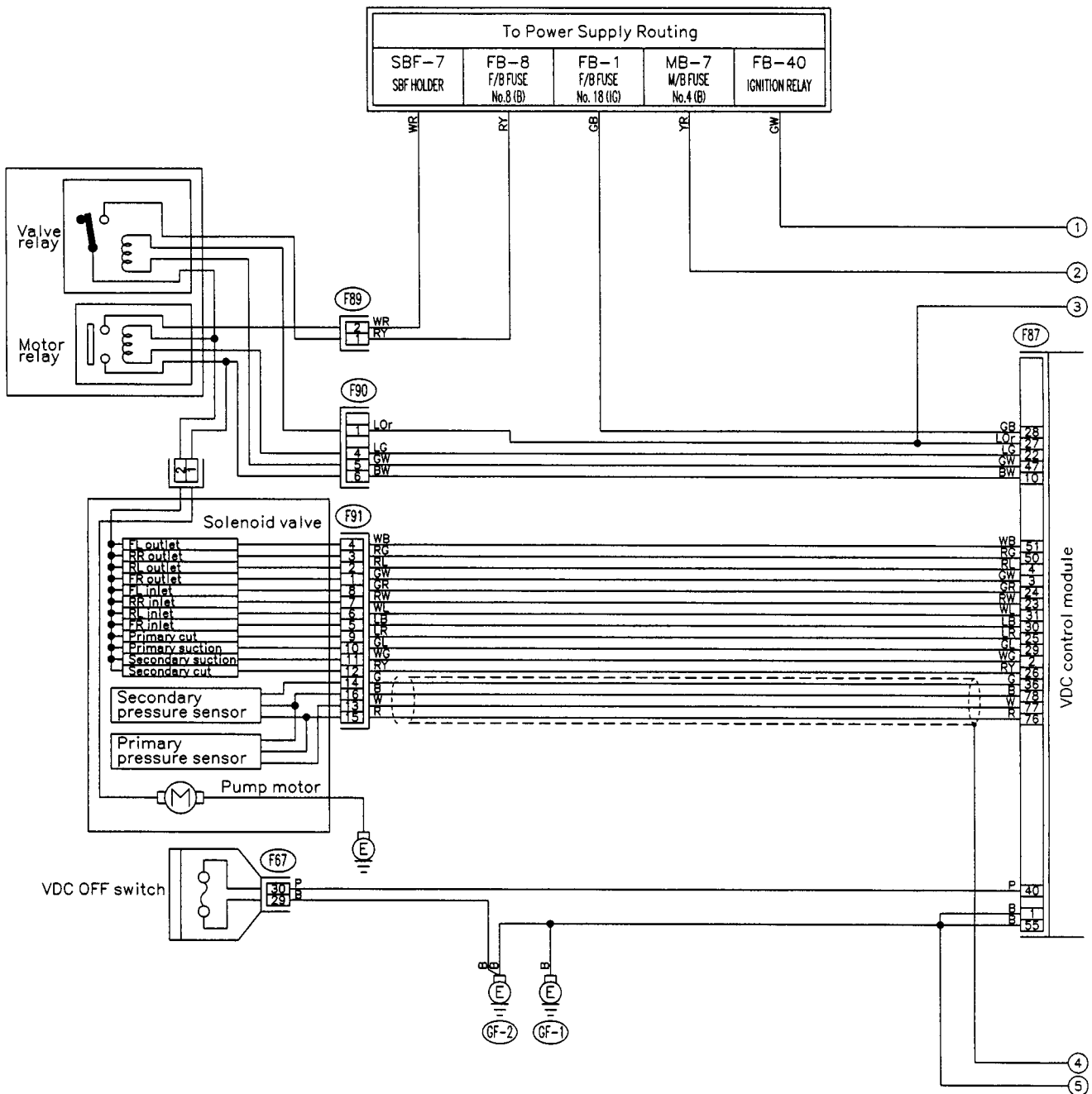


- E4 (Gray)
- E5
- E16 (Gray)
- E31
- E33
- E19 (Gray)
- E6
- E17 (Gray)
- E32
- E34
- E8
- E13
- E7
- B21 (Brown)
- E39



WIRING DIAGRAM

(6) VDC CONTROL SYSTEM

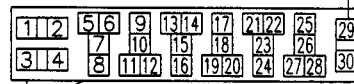
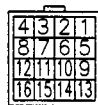


F89 (Gray)

F90 (Black)

F91 (Black)

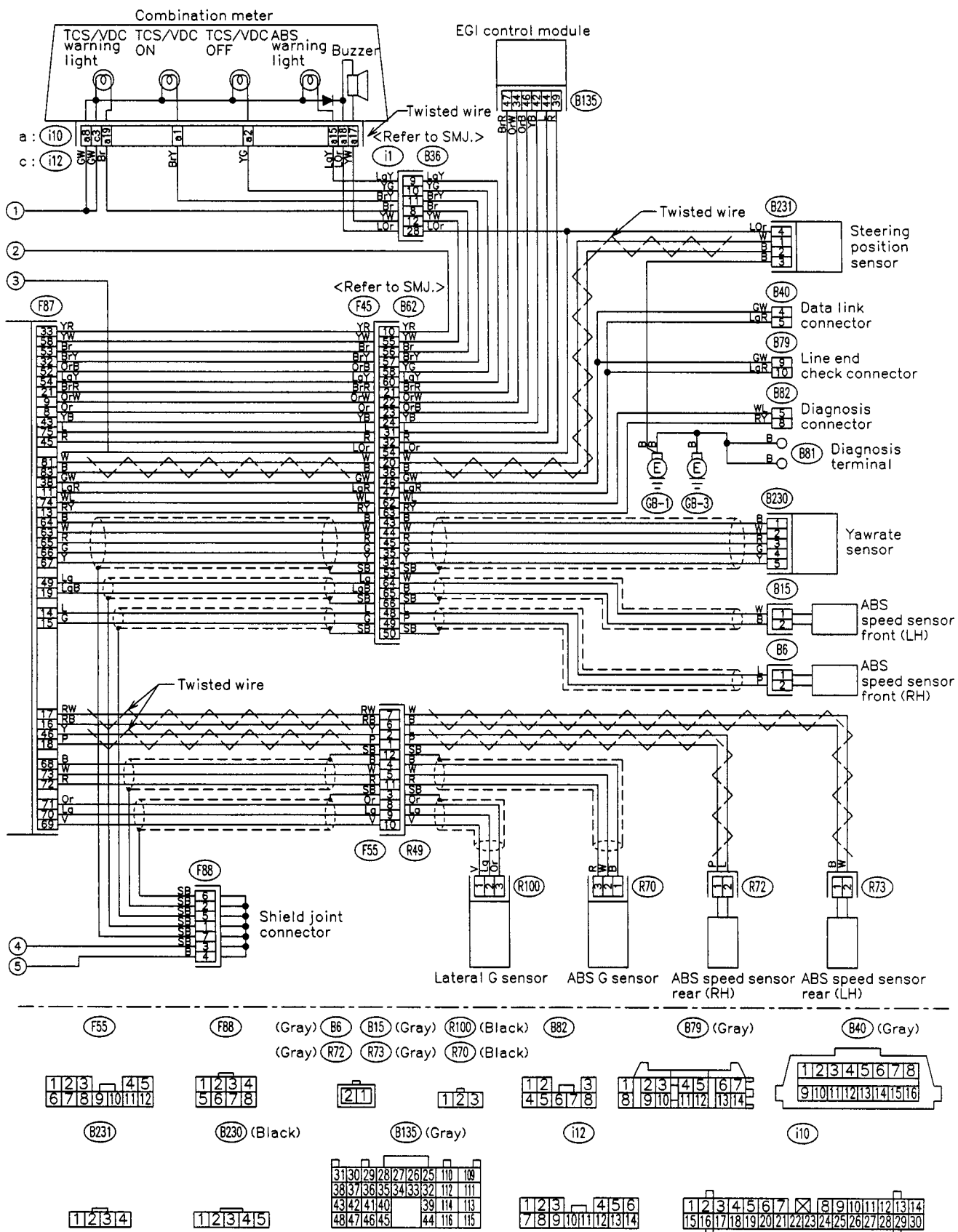
F67



F87 (Black)

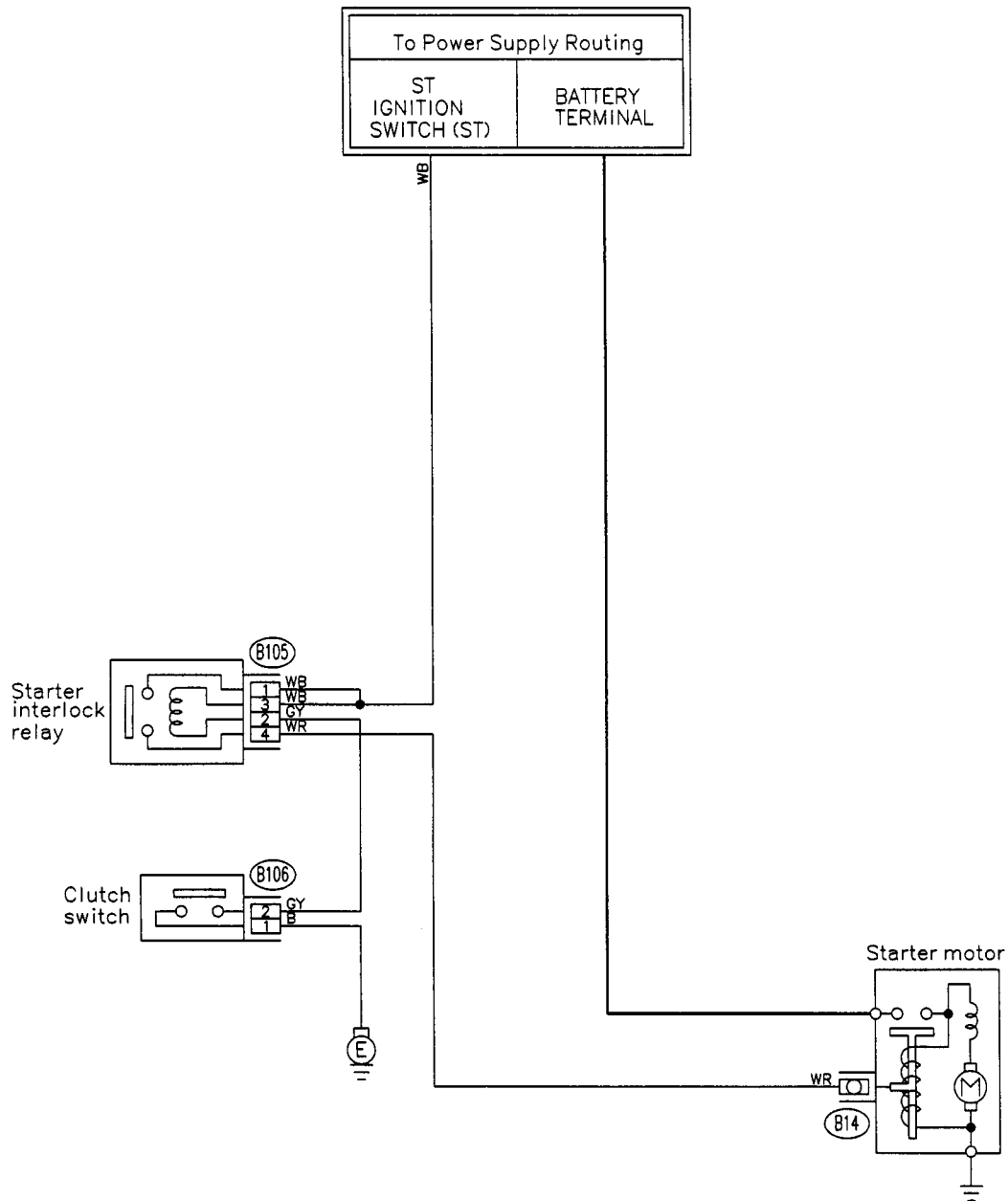
1	2	3	4	5	6	7	8	9	10	11	12	13	14	15	16	17	18	19	20	21	22	23	24	25	26	27	28		
×	29	30	31	32	33	34	35	36	37	38	39	40	41	42	43	44	45	46	47	48	49	50	51	52	53	54	55	×	
×	56	57	58	59	60	61	62	63	64	65	66	67	68	69	70	71	72	73	74	75	76	77	78	79	80	81	82	83	×

WIRING DIAGRAM



WIRING DIAGRAM

(7) STARTER MOTOR SYSTEM (MT vehicle)



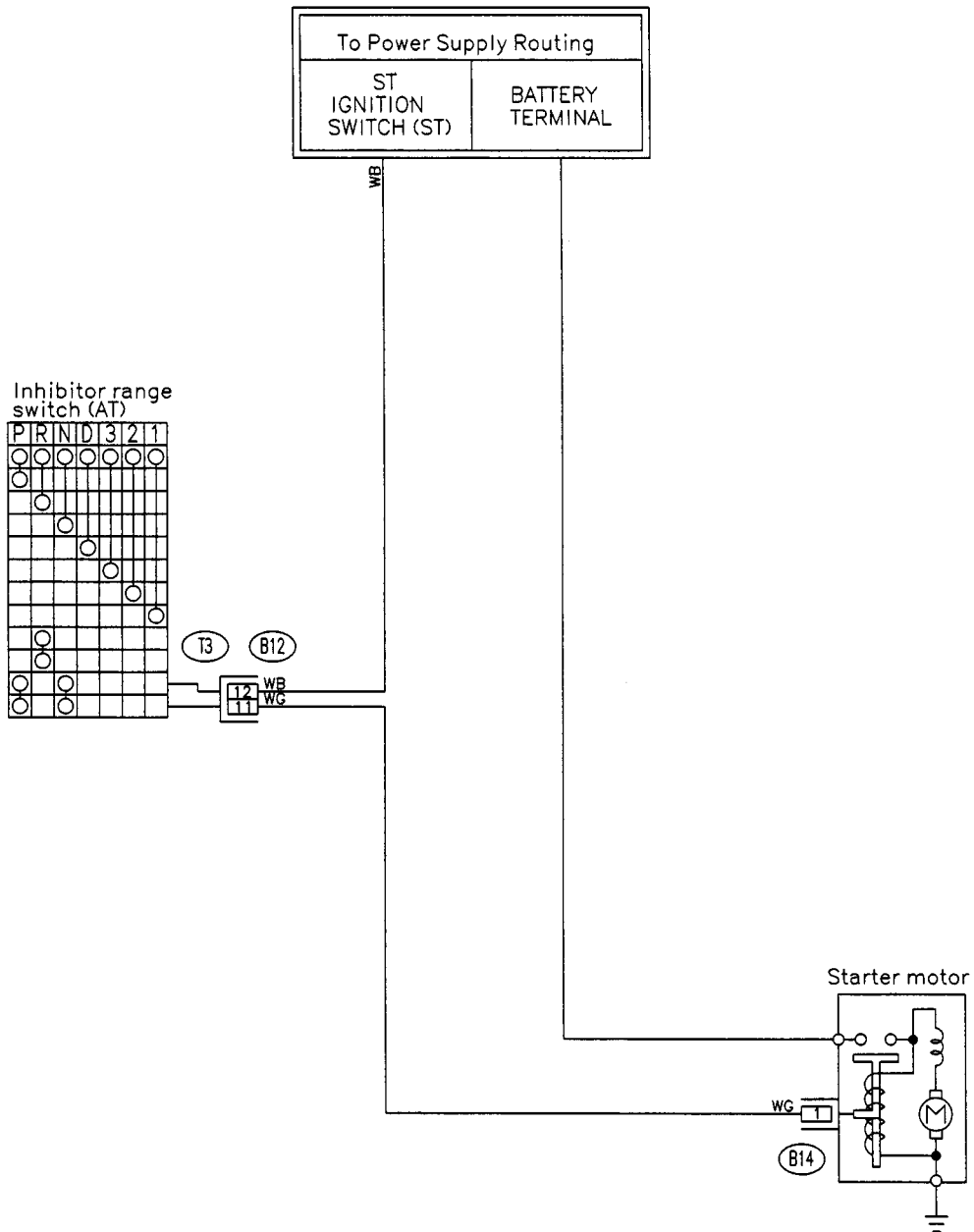
(B106)

(B105)



WIRING DIAGRAM

(8) STARTER MOTOR SYSTEM (AT vehicle)



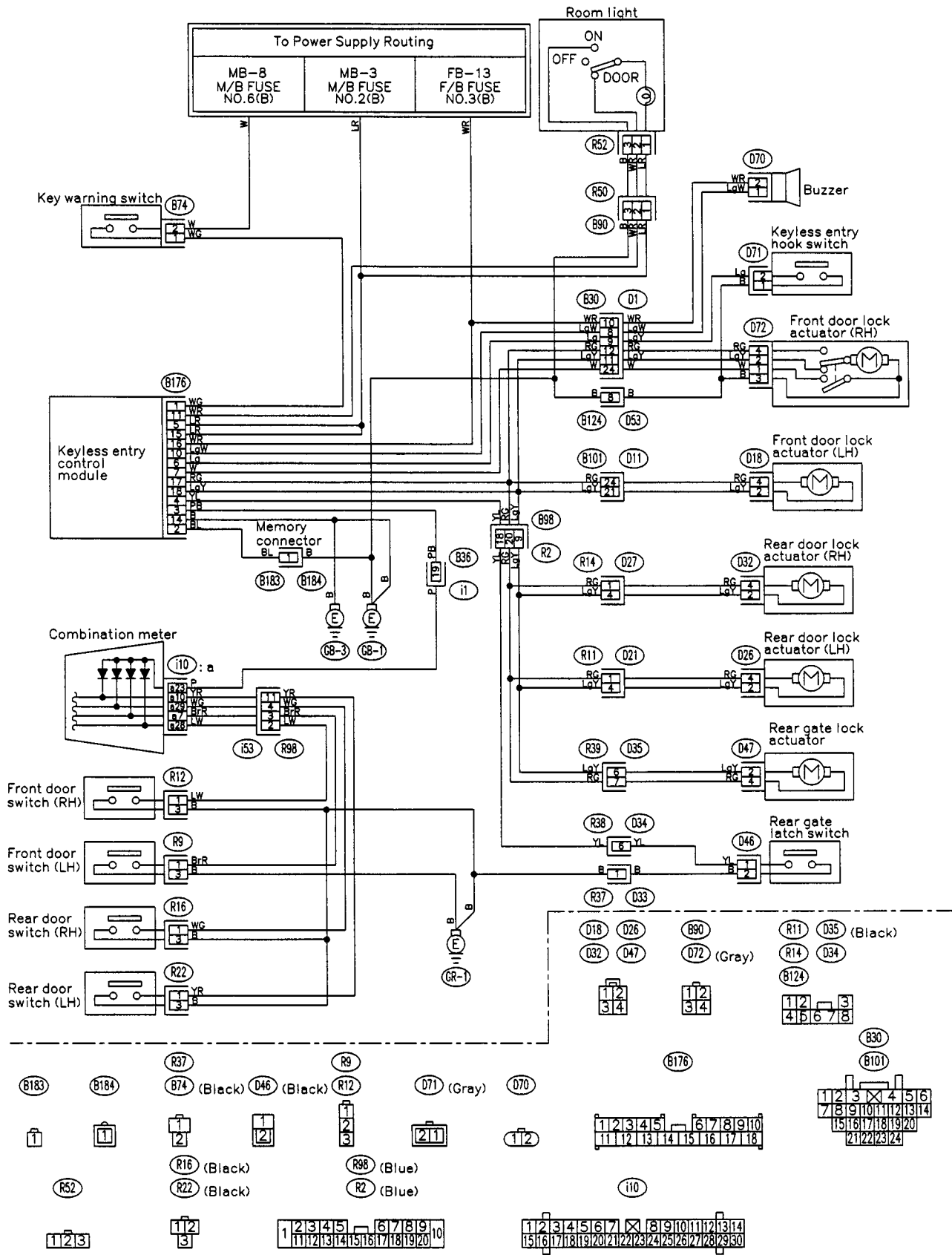
(B14) (Black)

(B12) (Gray)



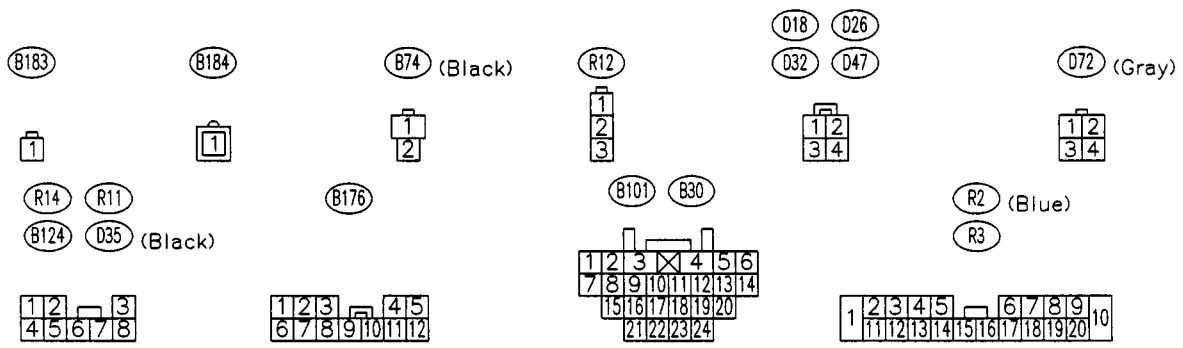
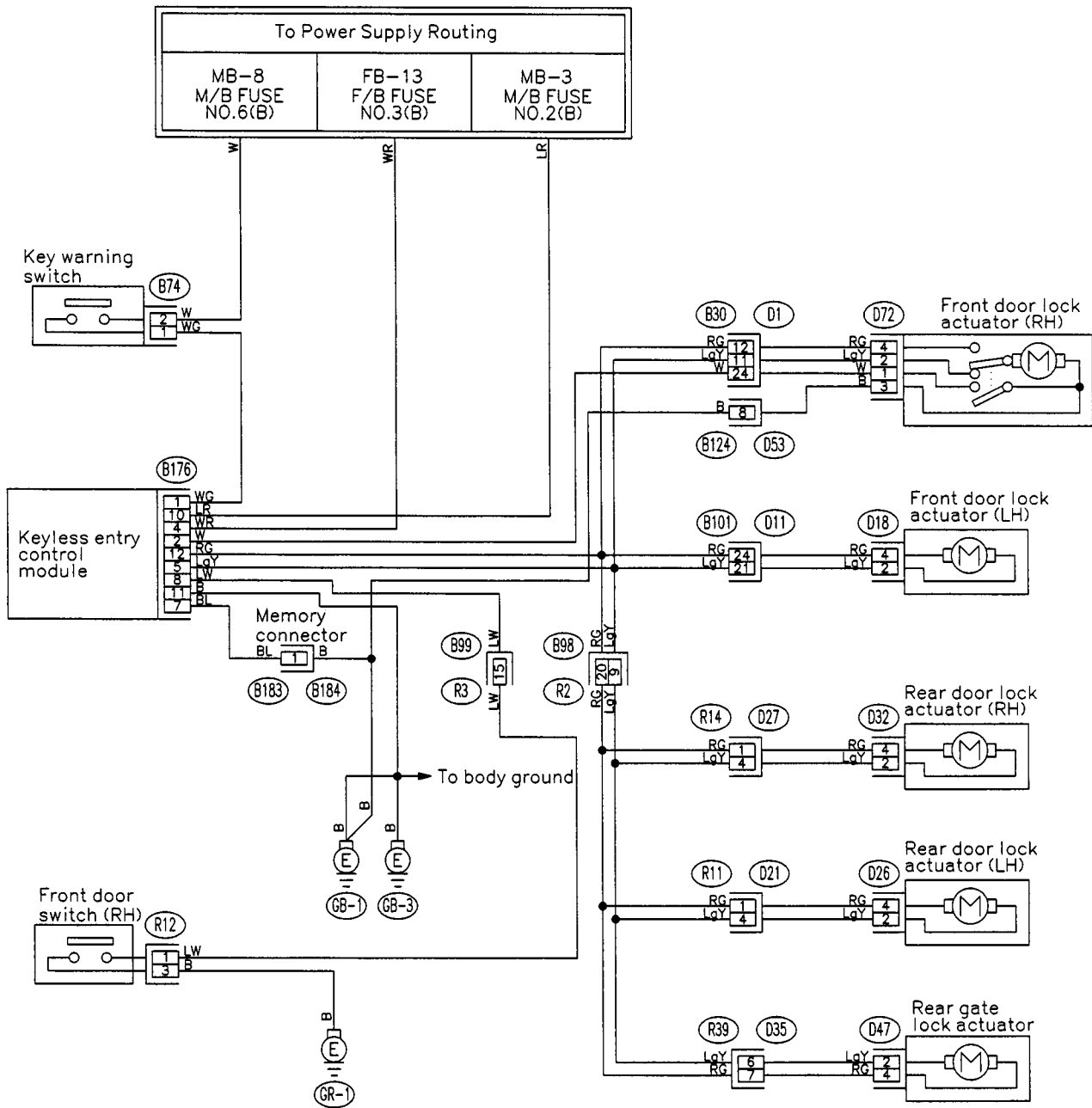
WIRING DIAGRAM

(9) KEYLESS ENTRY SYSTEM (With hook)



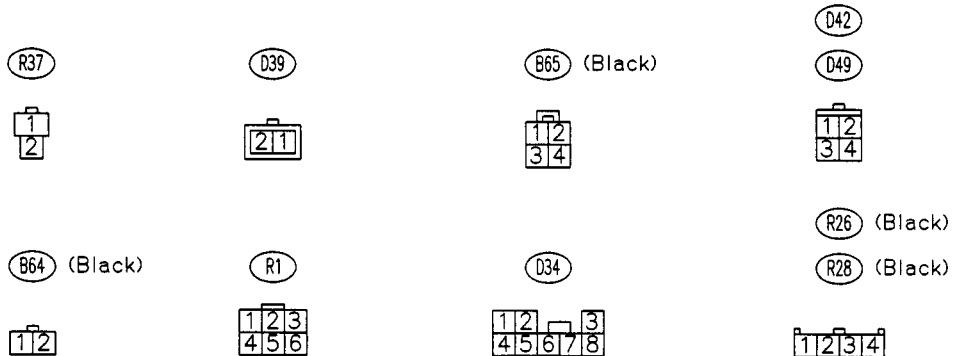
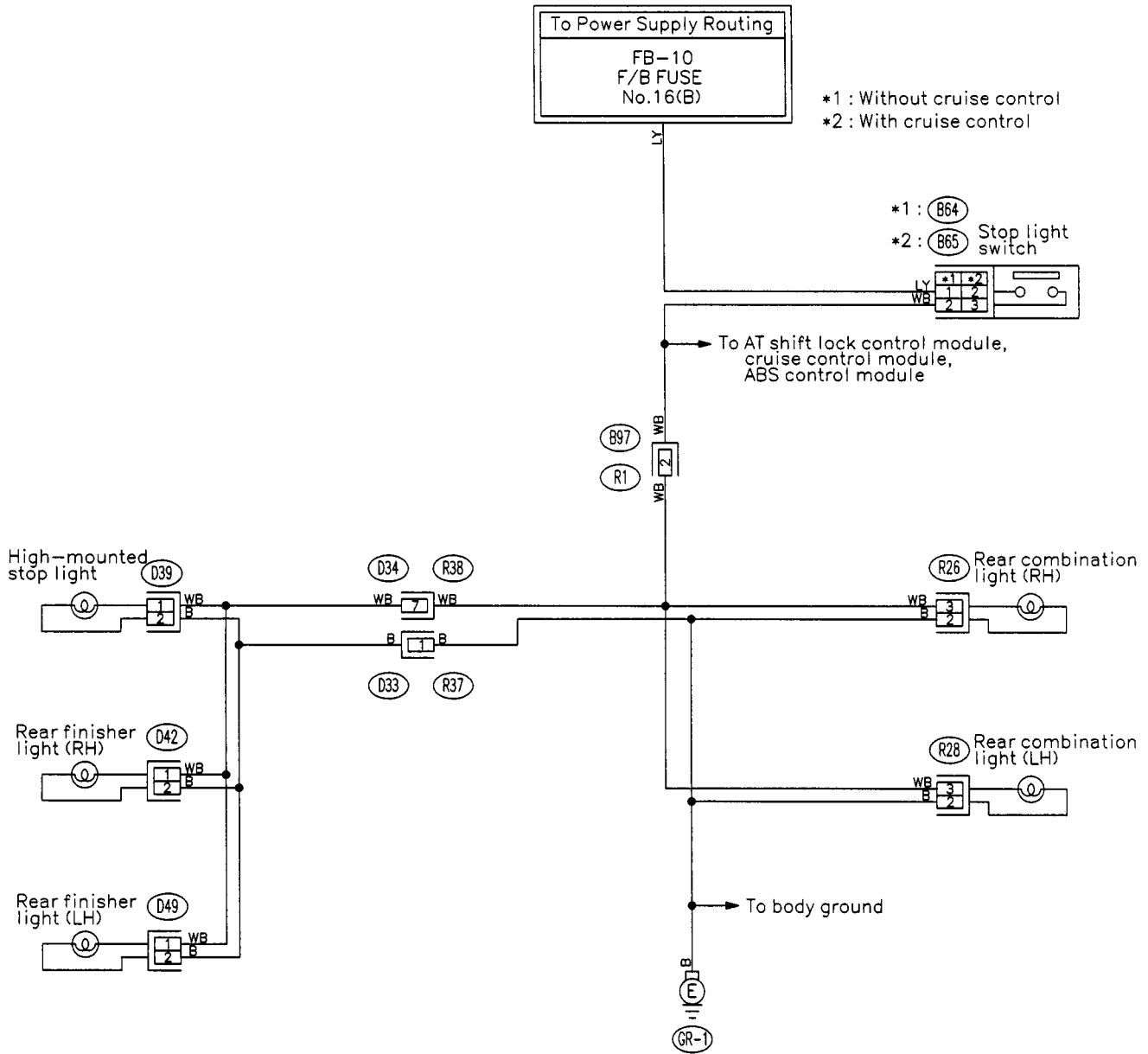
WIRING DIAGRAM

(10) KEYLESS ENTRY SYSTEM (Without hook)



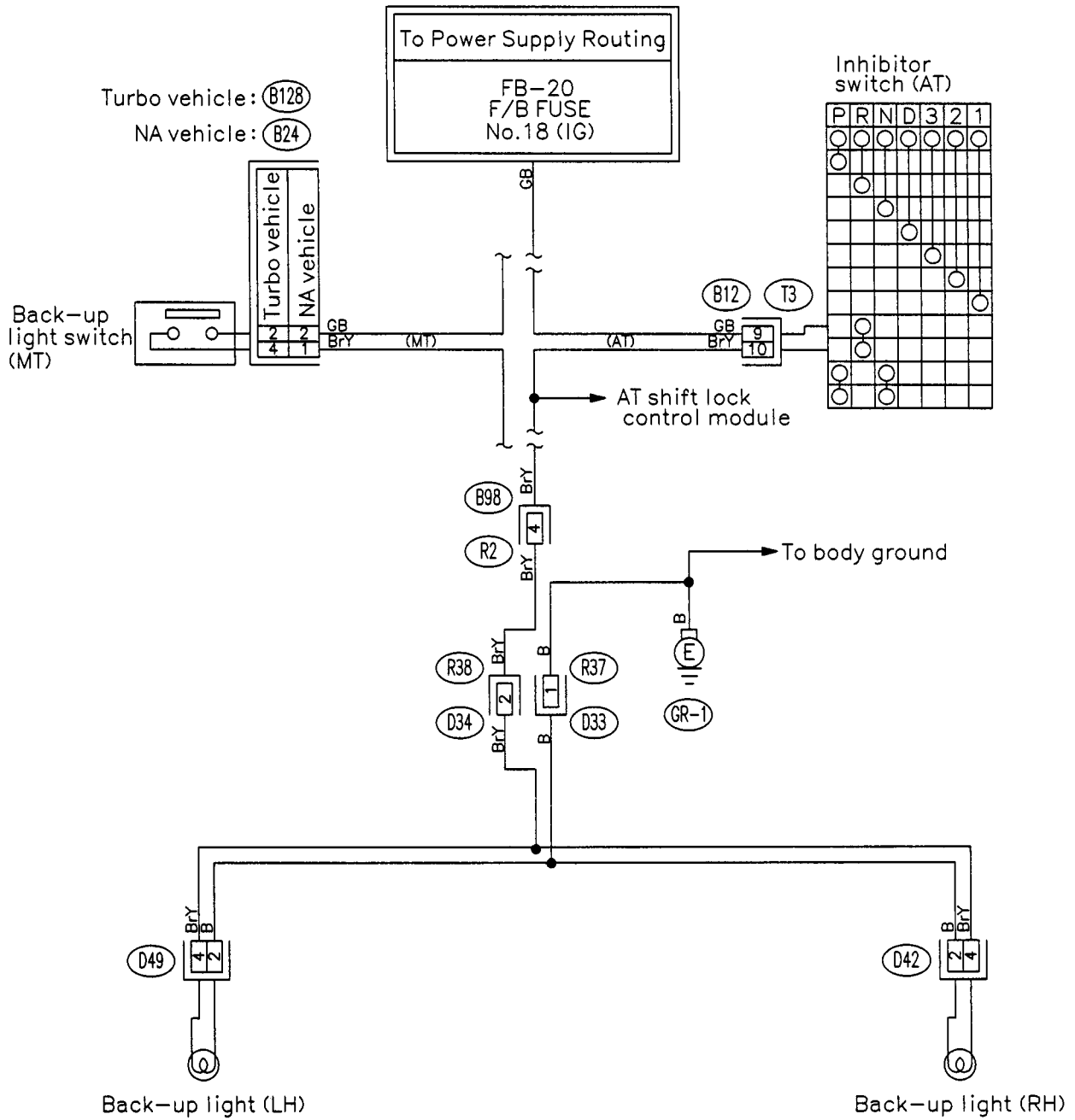
WIRING DIAGRAM

(11) STOP LIGHT SYSTEM



WIRING DIAGRAM

(12) BACK-UP LIGHT SYSTEM



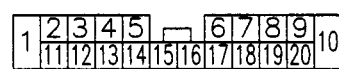
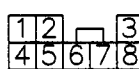
(D49)

(D42)

(B128) (Gray) (B24) (Gray) (R37)

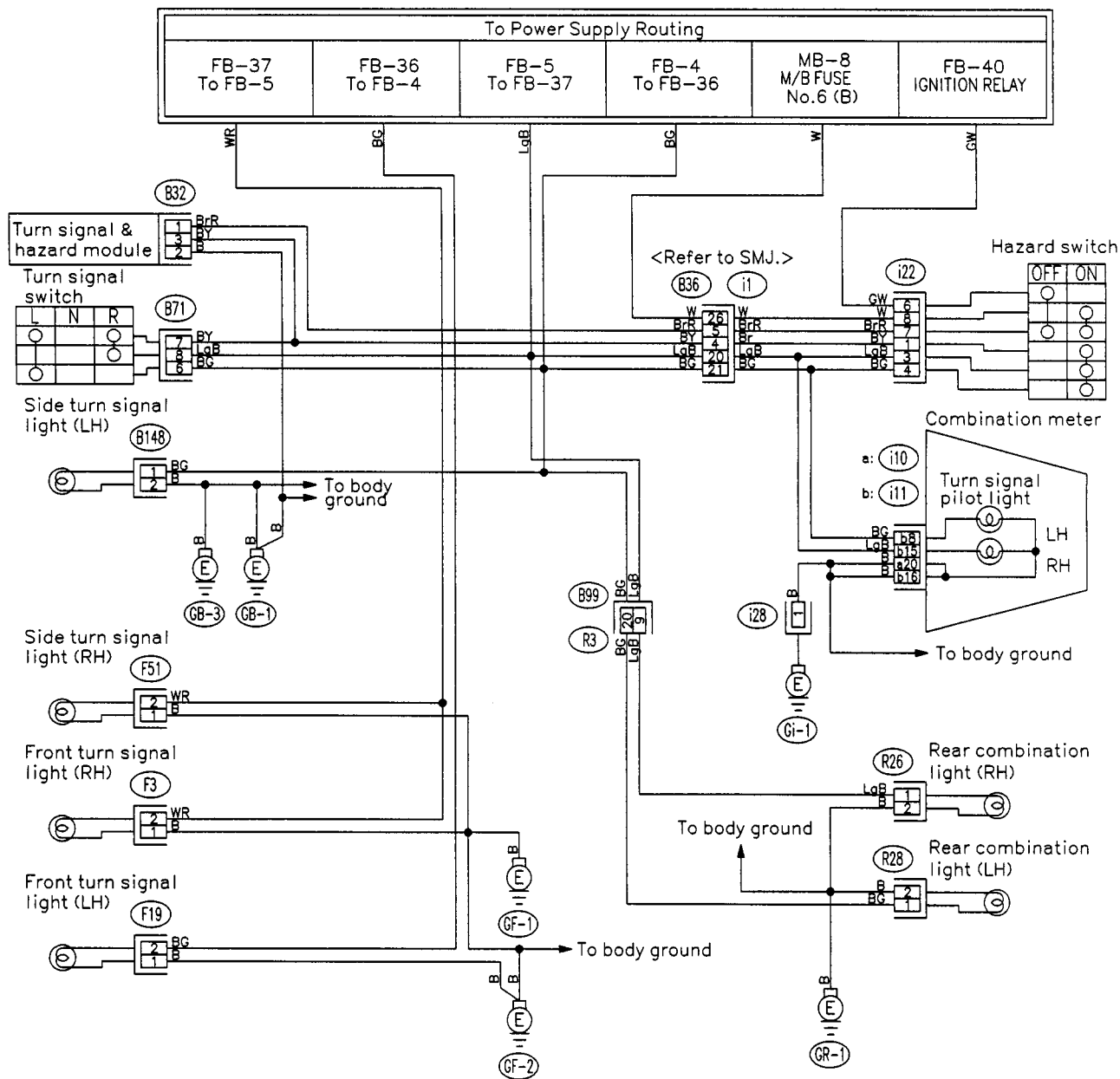
(B12) (Gray) (D34)

(R2) (Blue)



WIRING DIAGRAM

(13) TURN SIGNAL AND HAZARD SYSTEM



(Black) (B148) (F3) (Gray)

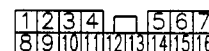
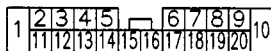
(Black) (F51) (F19) (Gray)

(R3)

(B32) (Black)

(i22)

(i11)



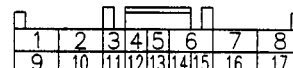
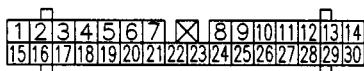
(i10)

(R26) (Black)

(R28) (Black)

(i28) (Black)

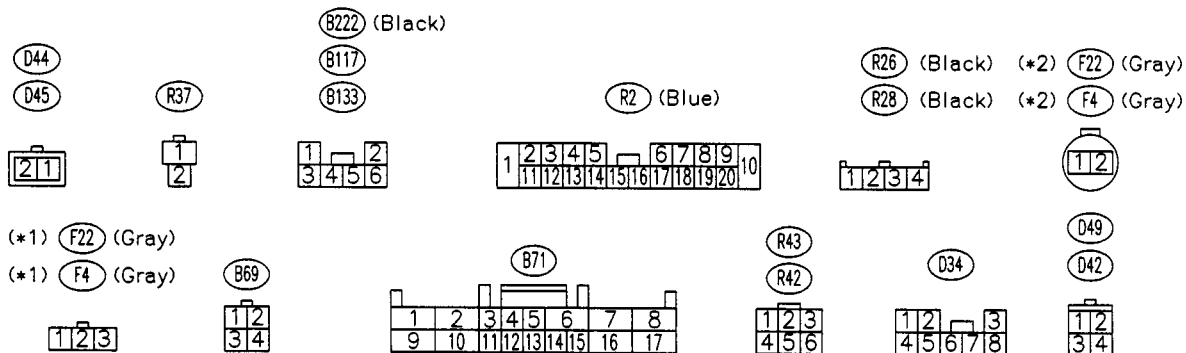
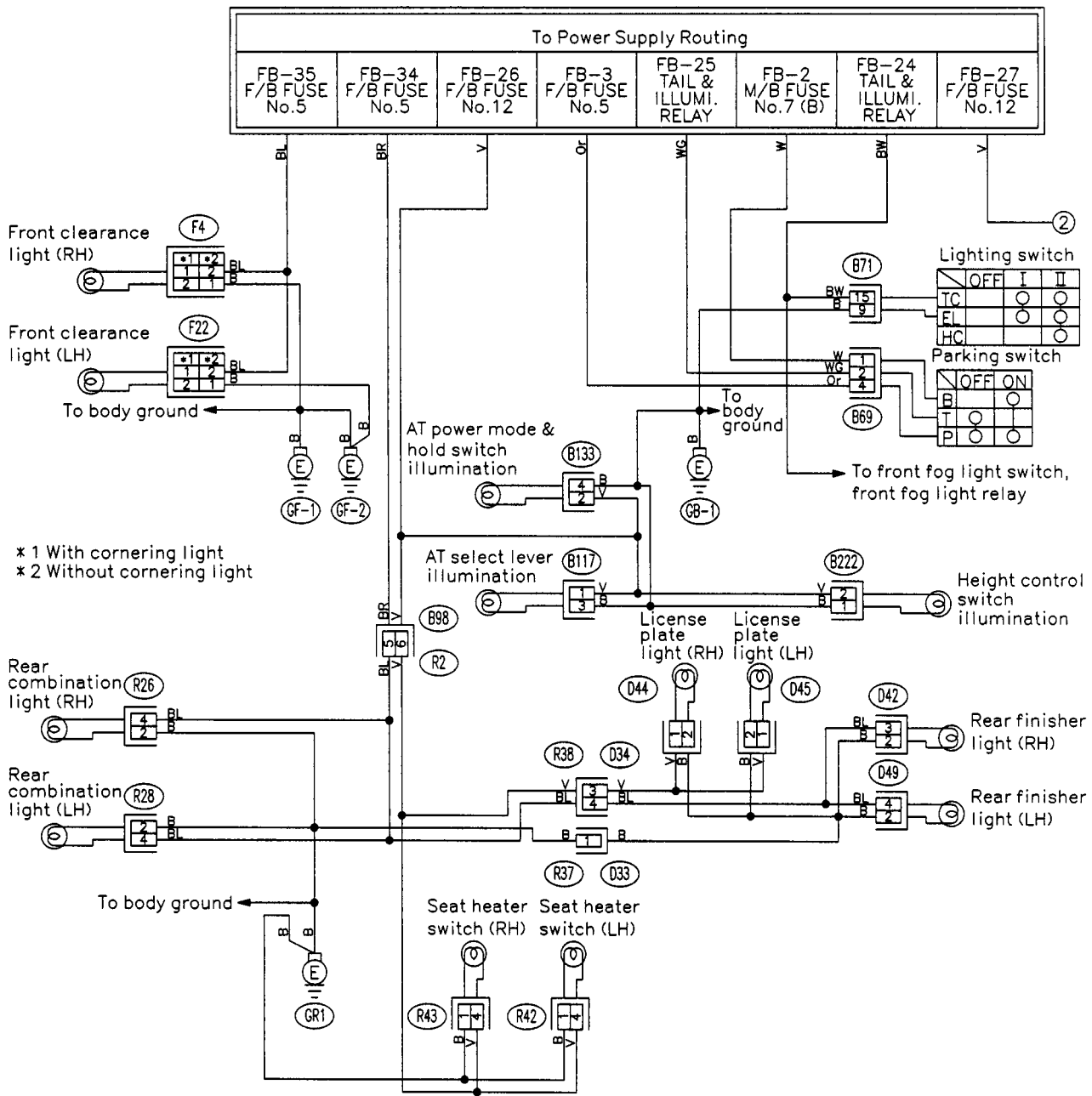
(B71)



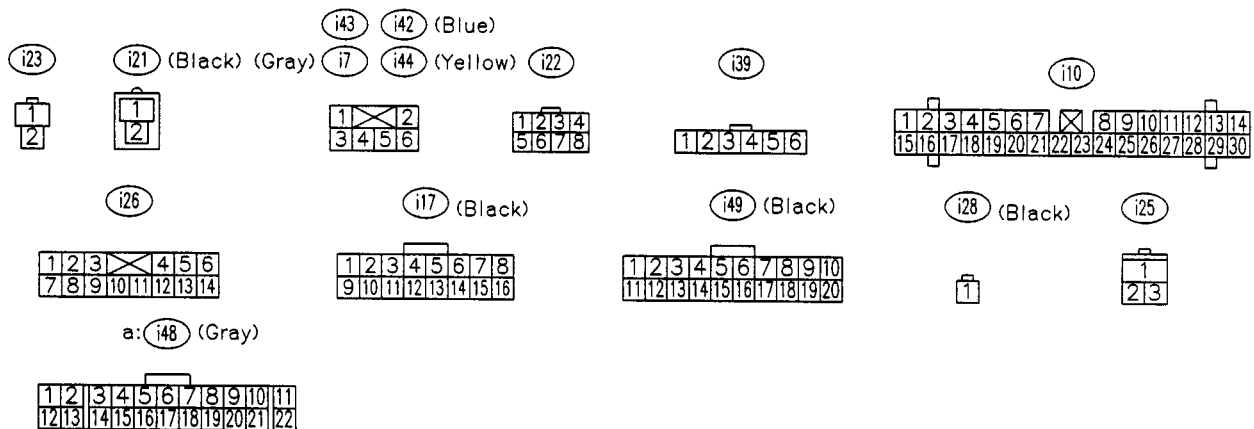
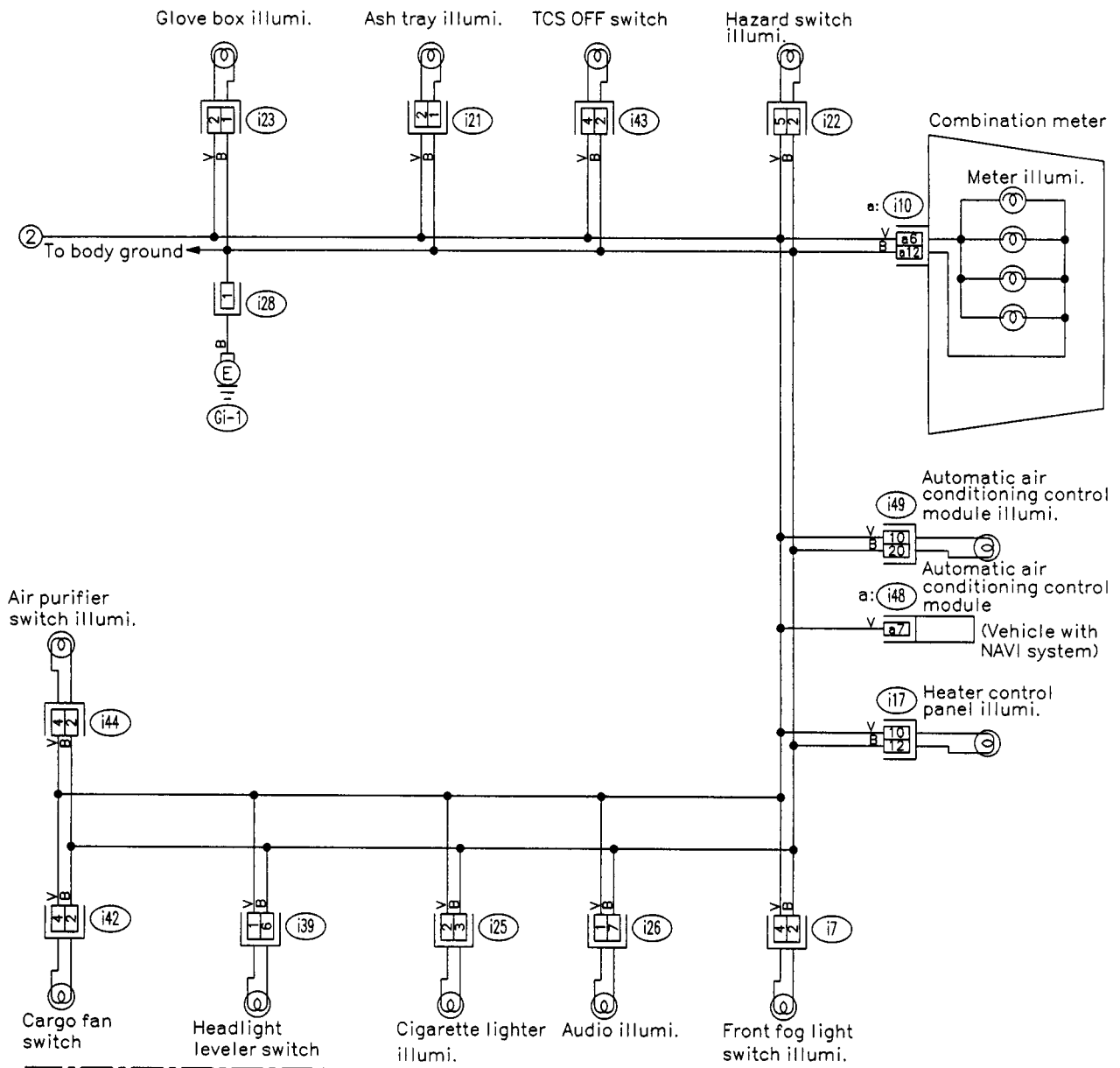
WIRING DIAGRAM

WIRING DIAGRAM

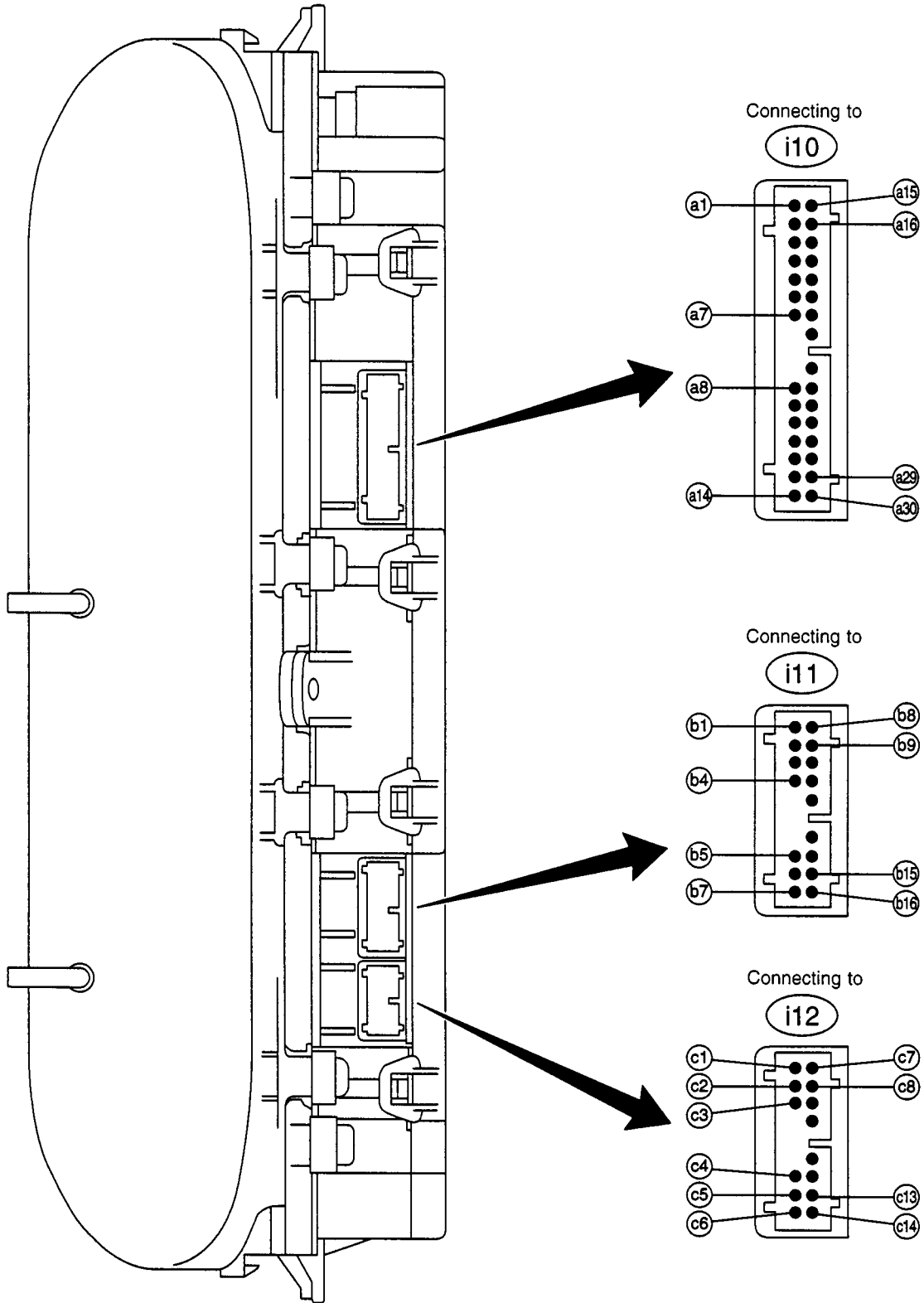
(14) LIGHTING SYSTEM (CLEARANCE, LICENSE AND ILLUMI.)



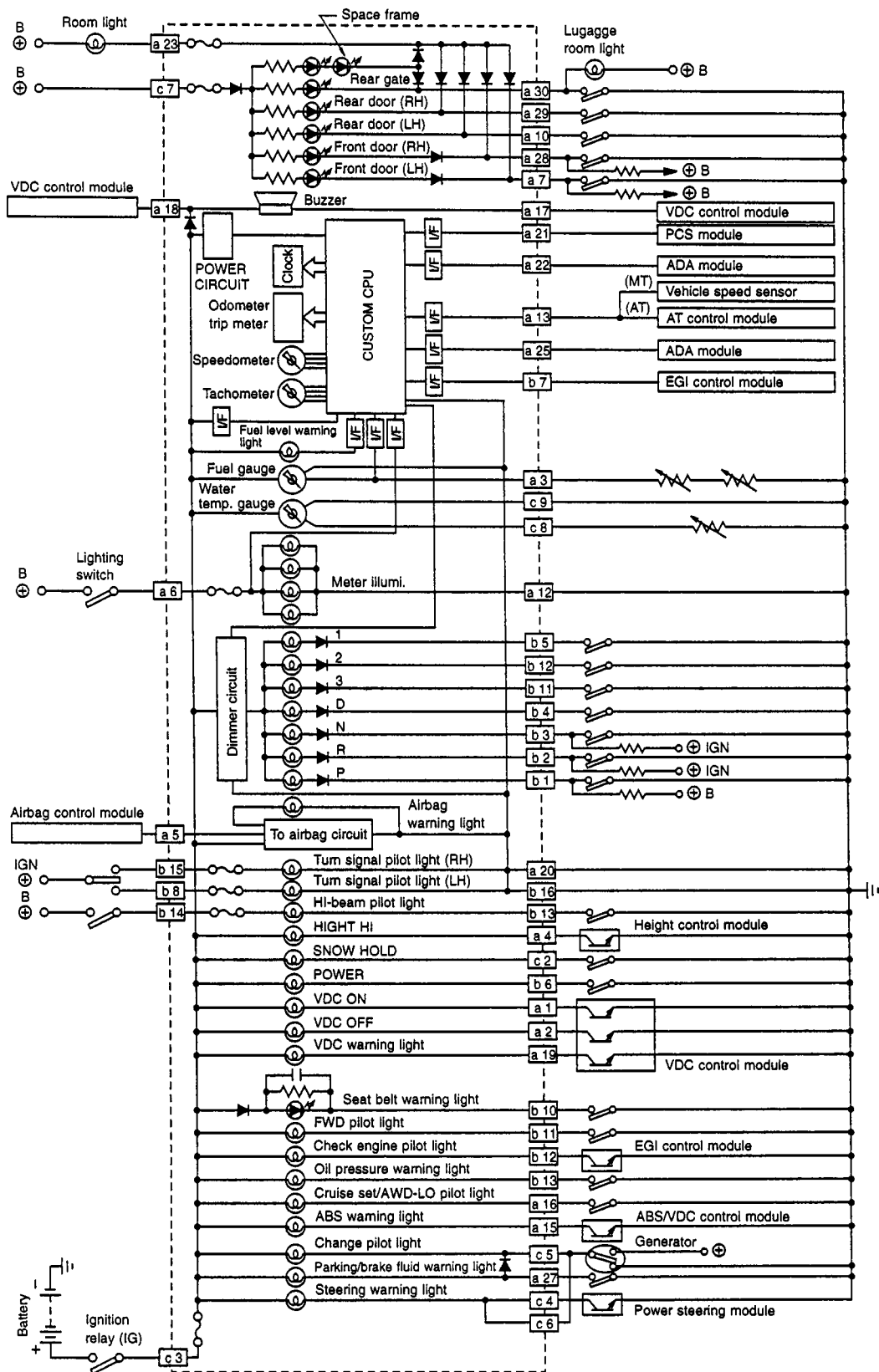
WIRING DIAGRAM



(15) COMBINATION METER

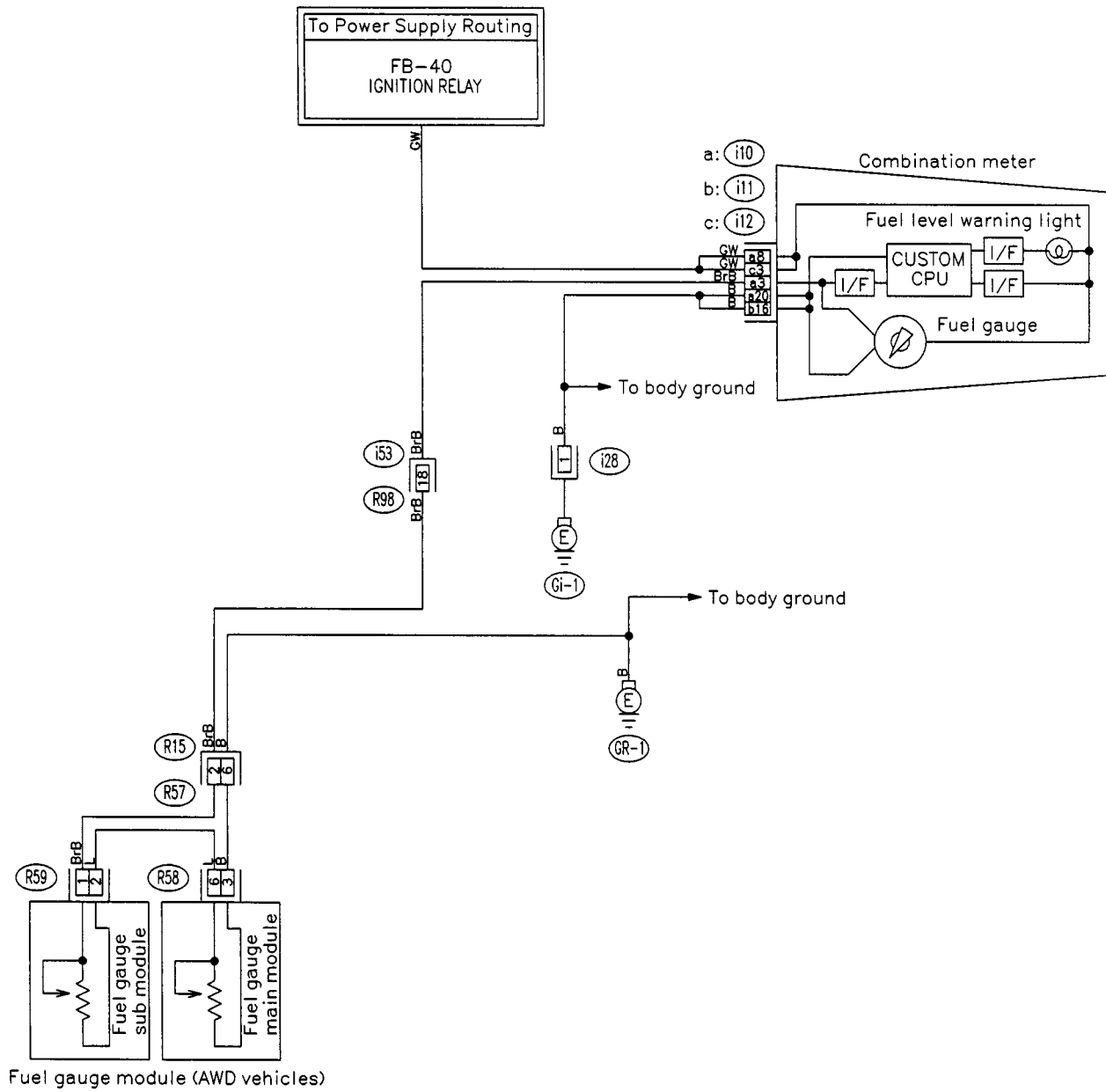


WIRING DIAGRAM

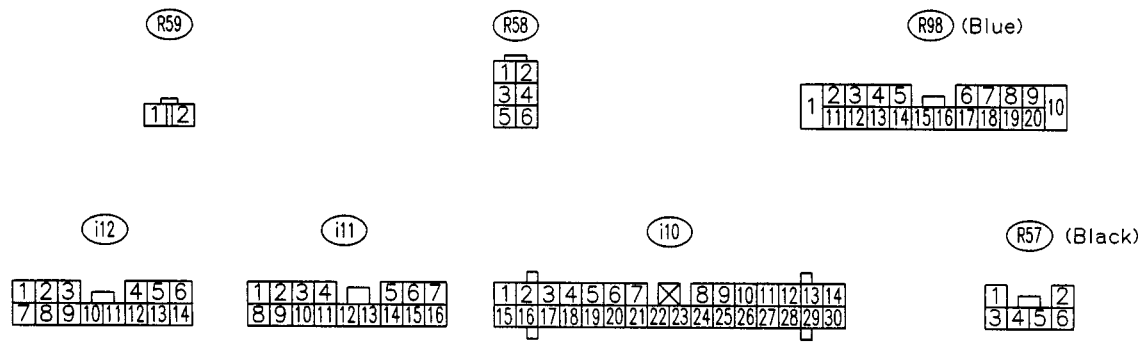


WIRING DIAGRAM

(16) FUEL GAUGE SYSTEM

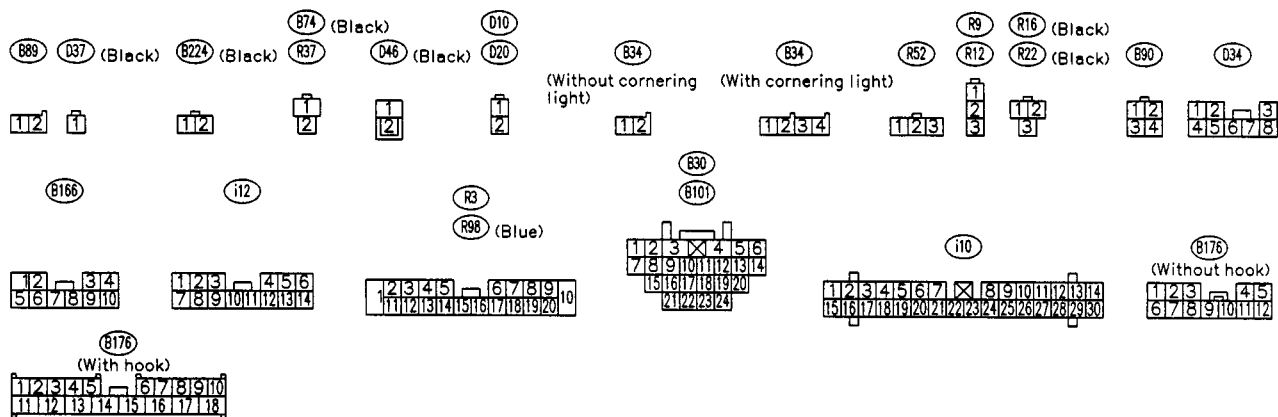
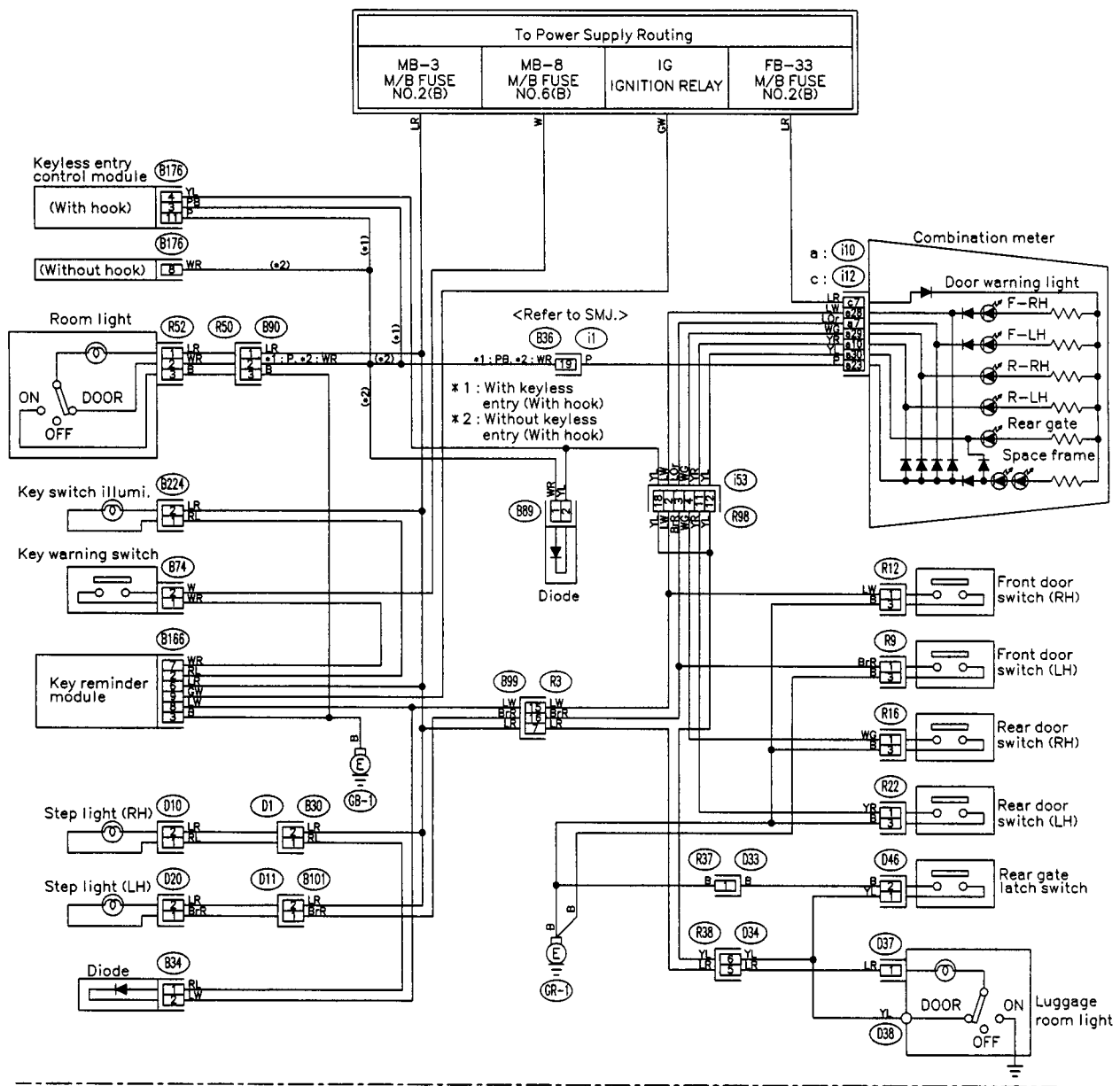


Fuel gauge module (AWD vehicles)



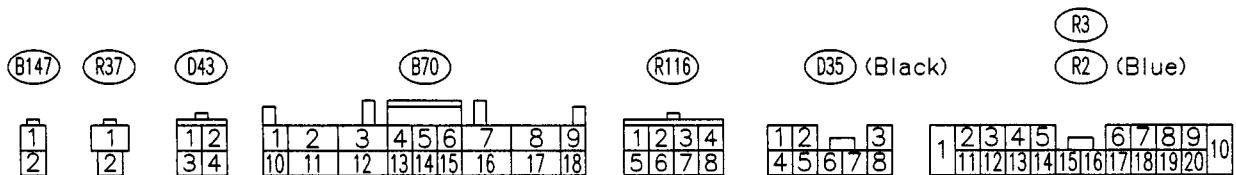
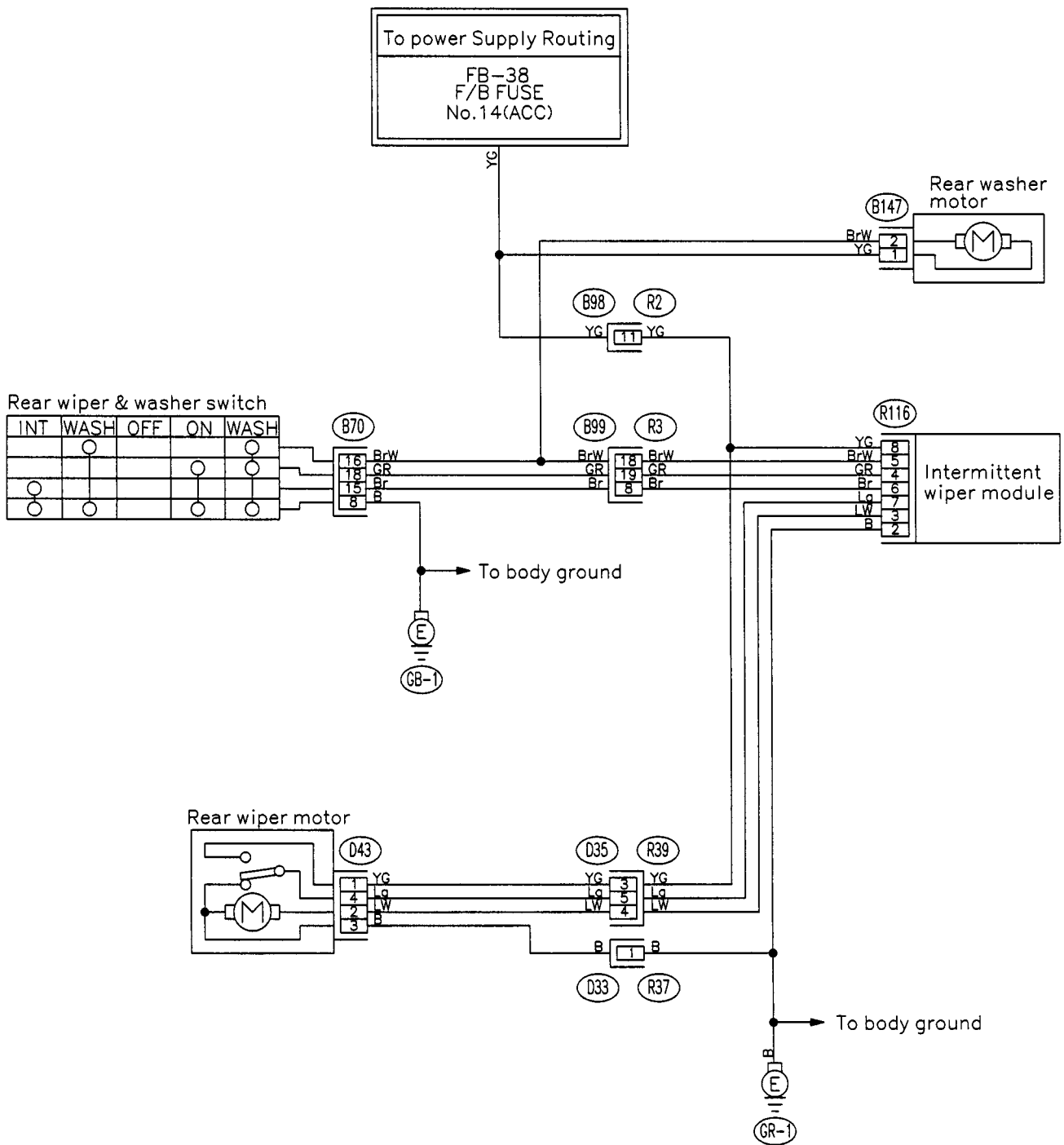
WIRING DIAGRAM

(17) INTERIOR LIGHT AND DOOR WARNING LIGHT



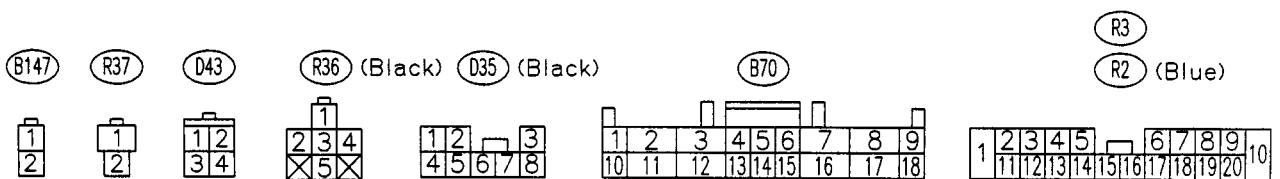
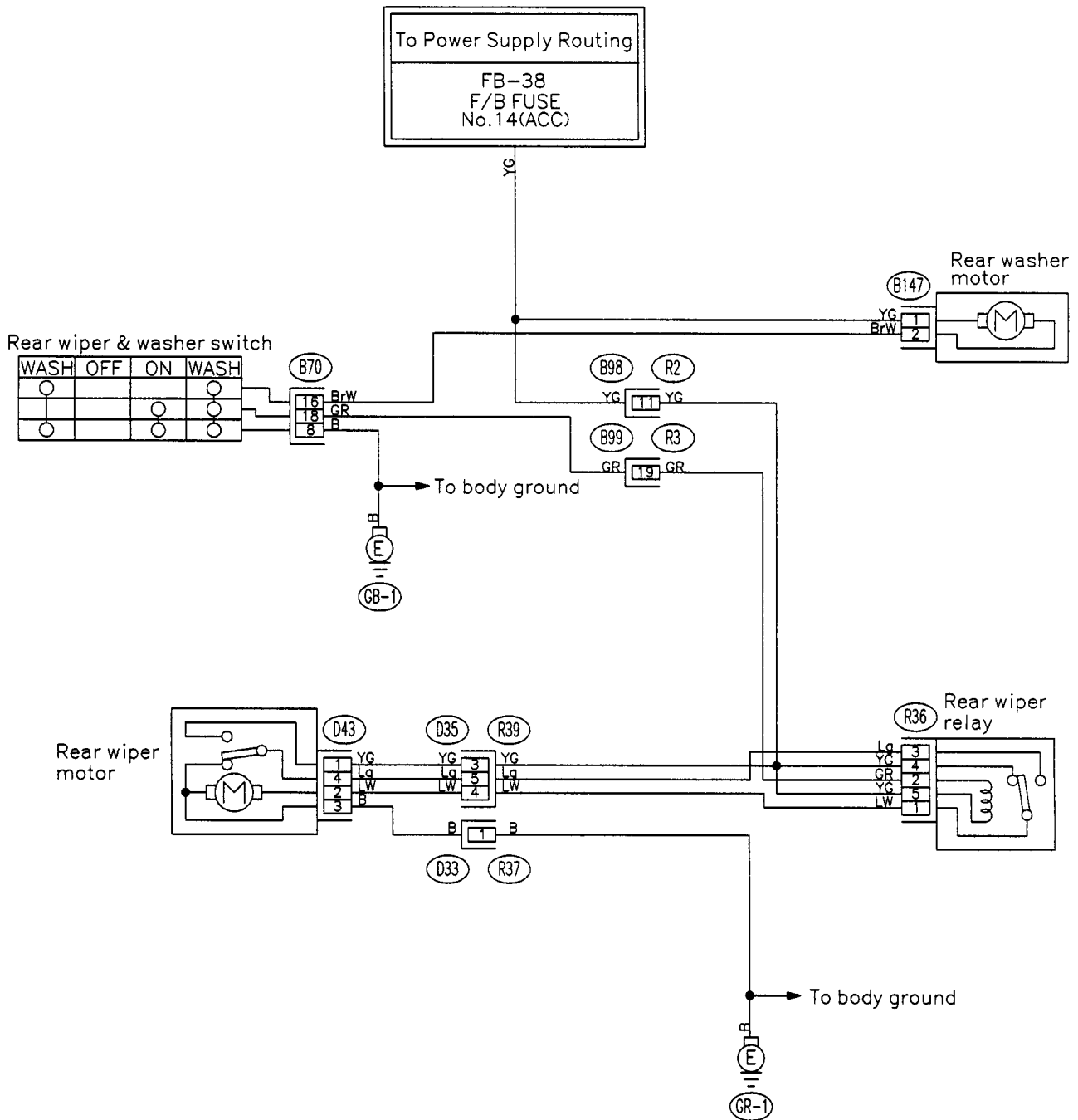
WIRING DIAGRAM

(18) REAR WIPER AND WASHER SYSTEM (With intermittent)



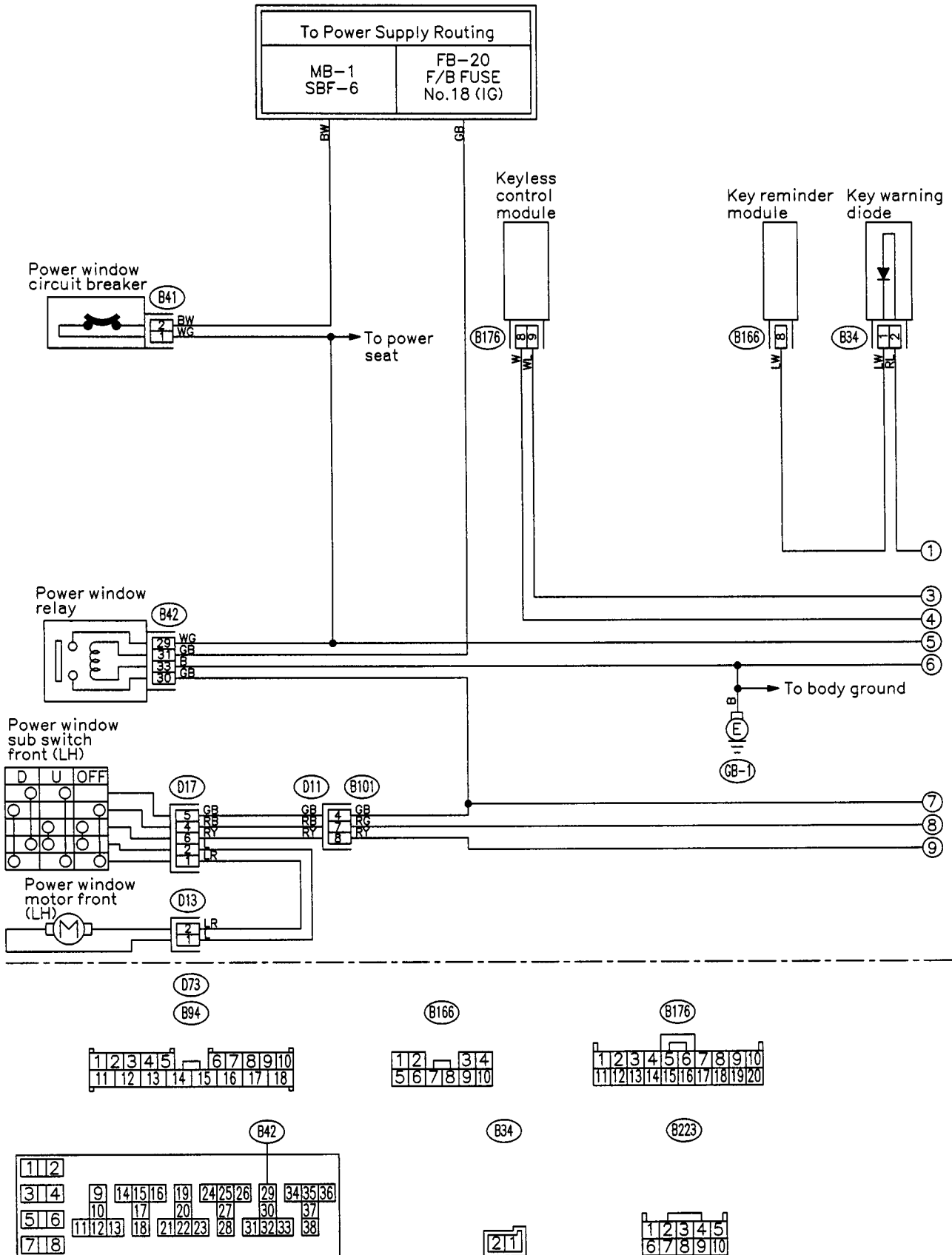
WIRING DIAGRAM

(19) REAR WIPER AND WASHER SYSTEM (Without intermittent)

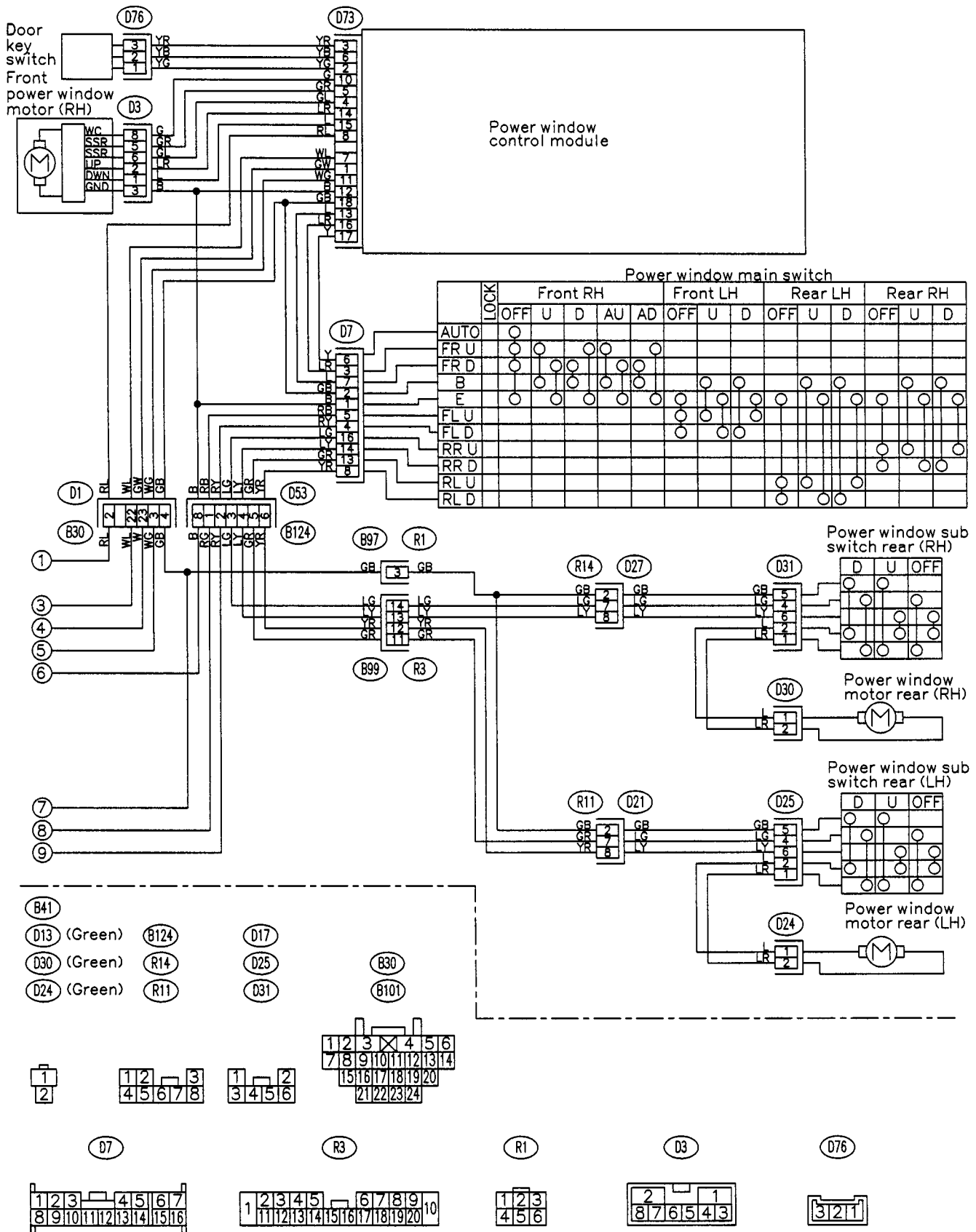


WIRING DIAGRAM

(20) POWER WINDOW SYSTEM

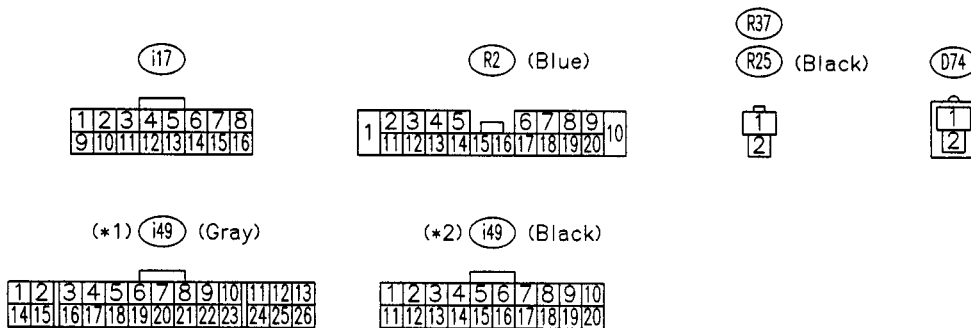
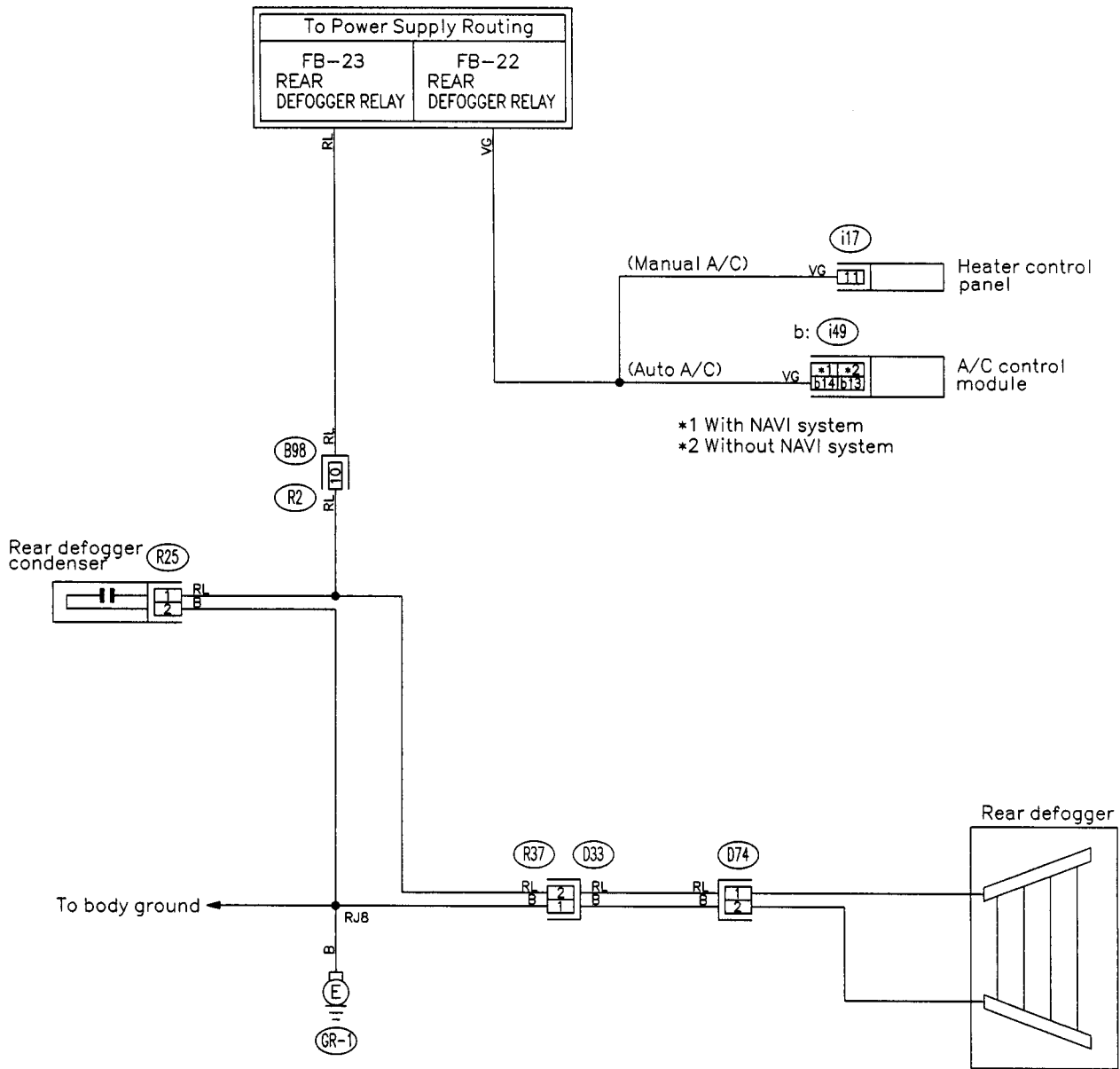


WIRING DIAGRAM



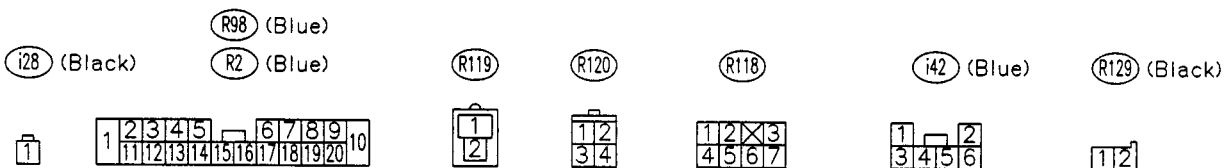
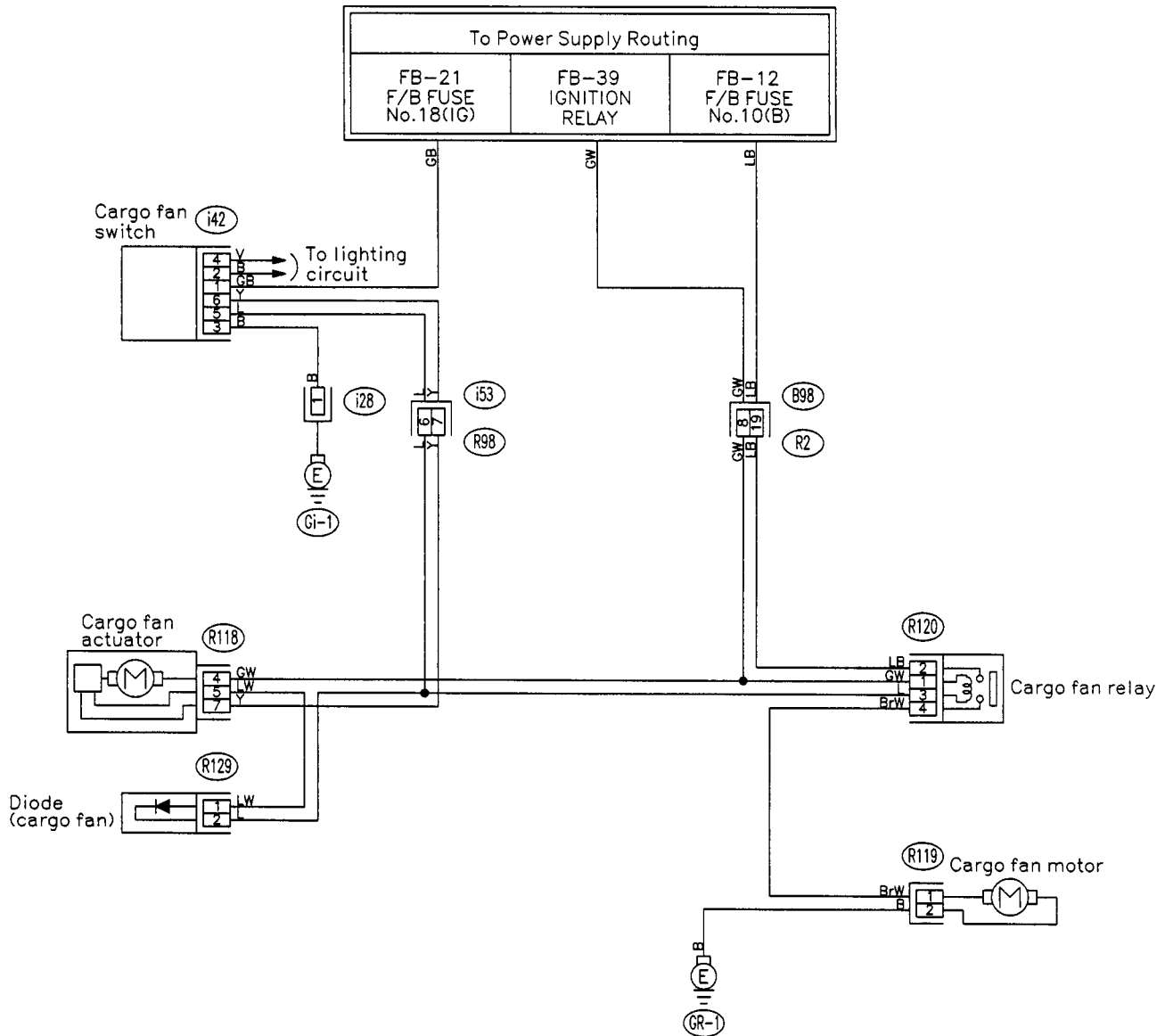
WIRING DIAGRAM

(22) REAR WINDOW DEFOGGER SYSTEM



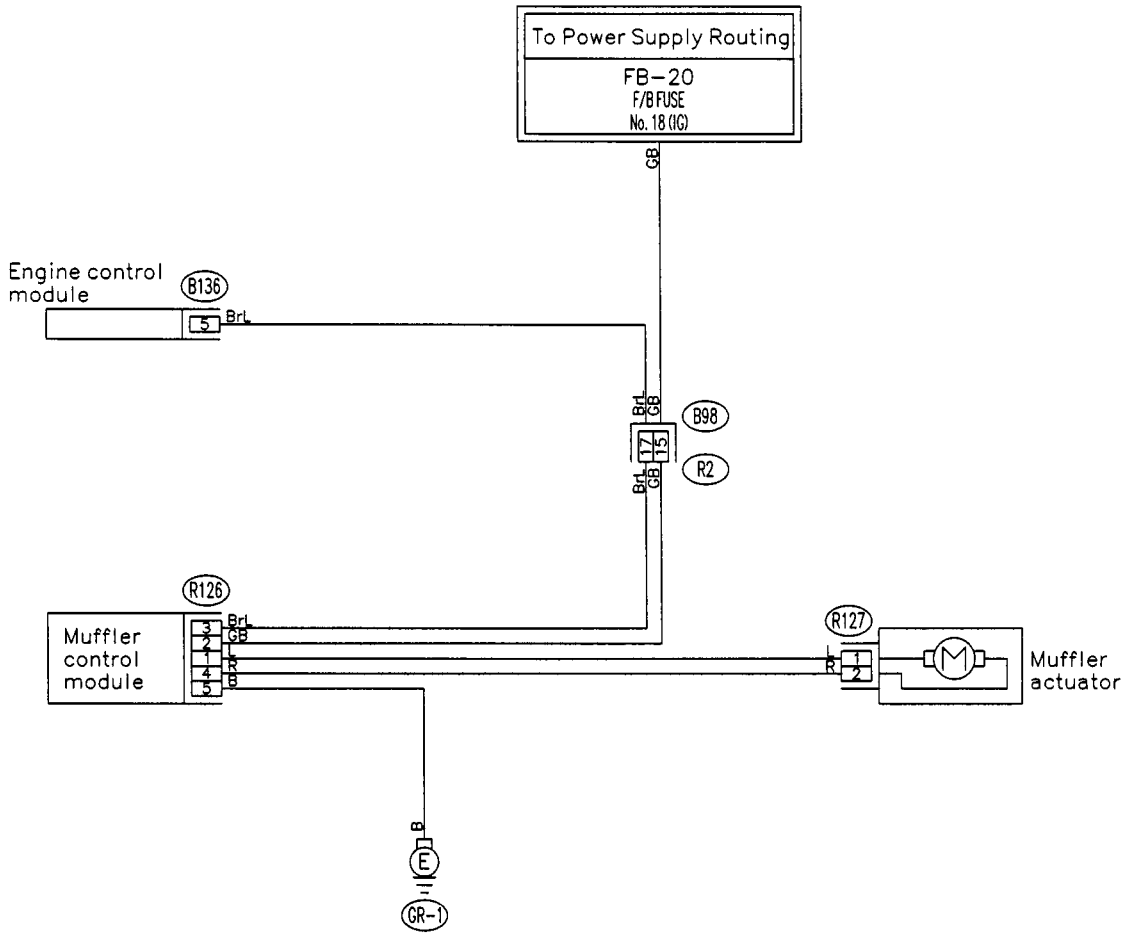
WIRING DIAGRAM

(23) CARGO FAN SYSTEM



WIRING DIAGRAM

(24) ELECTRICAL CONTROLLED MUFFLER SYSTEM



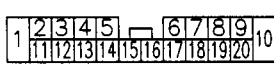
(R127)



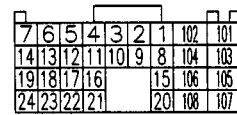
(R126)



(R2) (Blue)

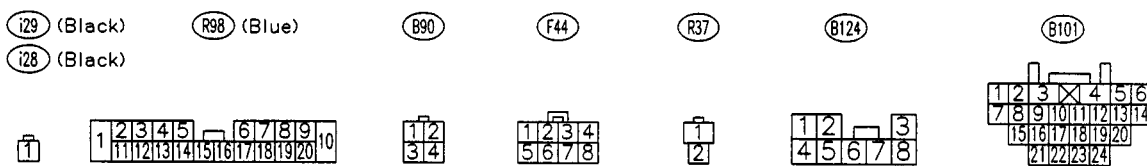
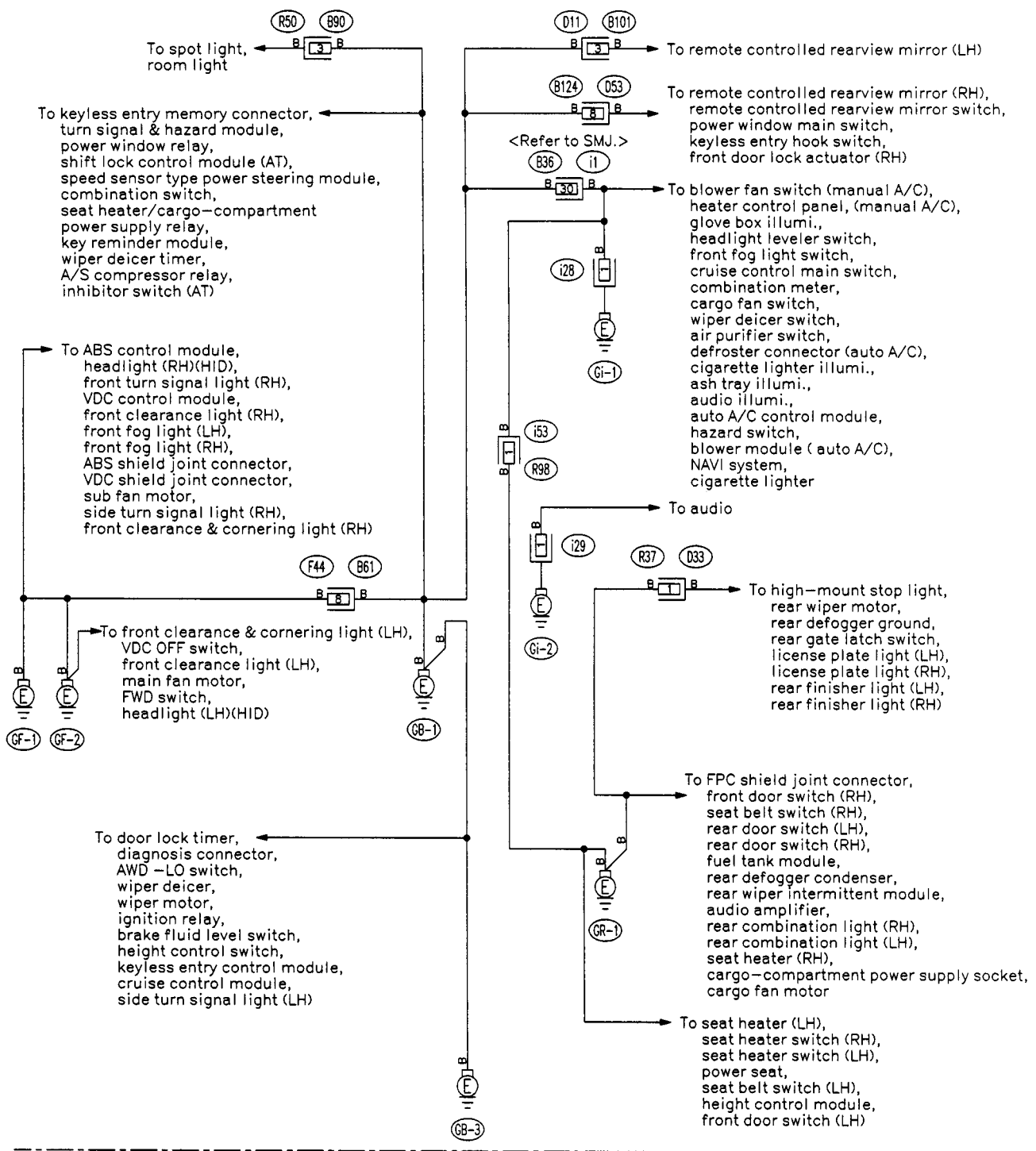


(B136) (Black)

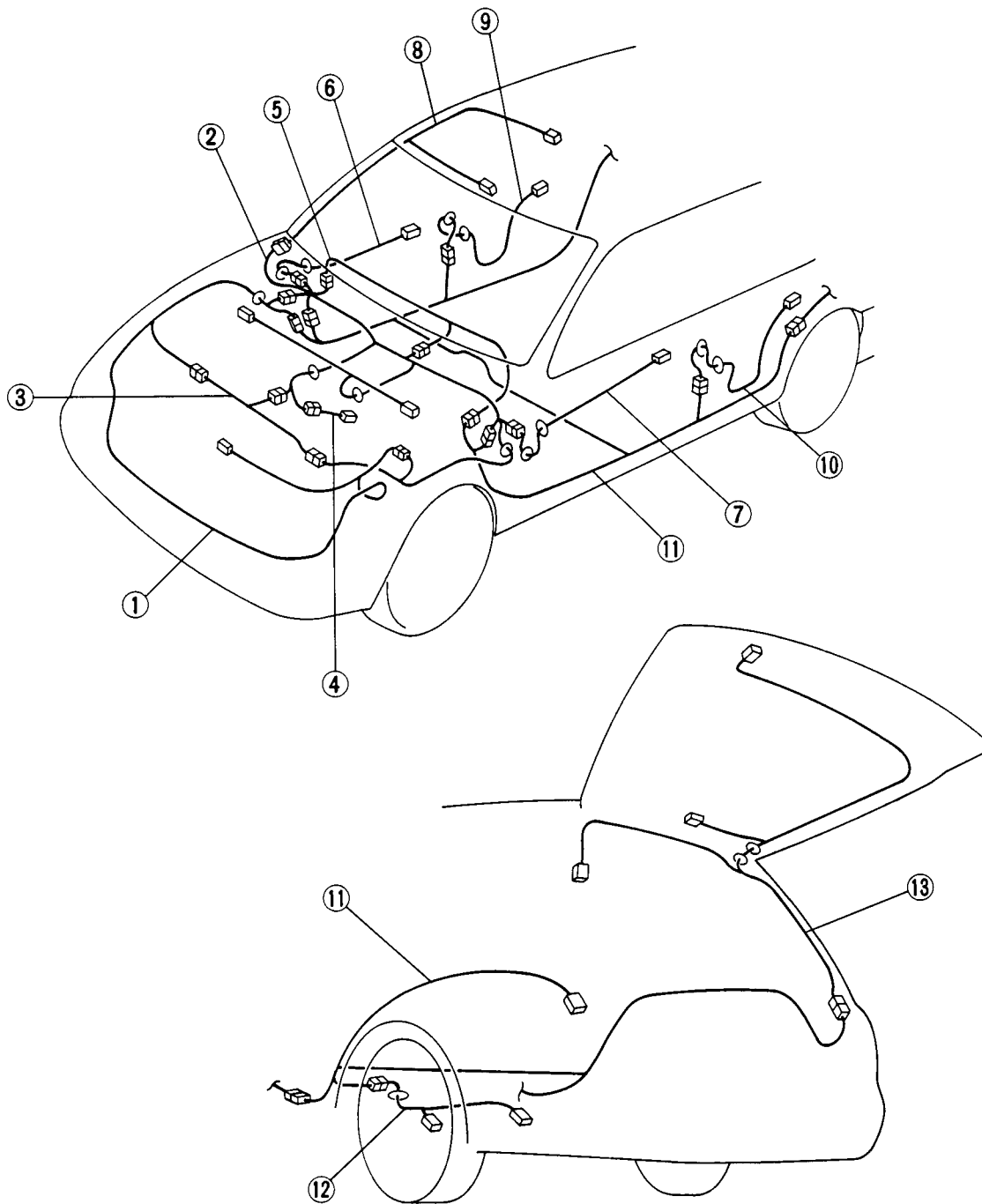


WIRING DIAGRAM

(25) BODY GROUND SYSTEM



3. Electrical Wiring Harness and Ground Point



- 1. Front wiring harness
- 2. Bulkhead wiring harness
- 3. Engine wiring harness
- 4. Transmission cord
- 5. Instrument wiring harness

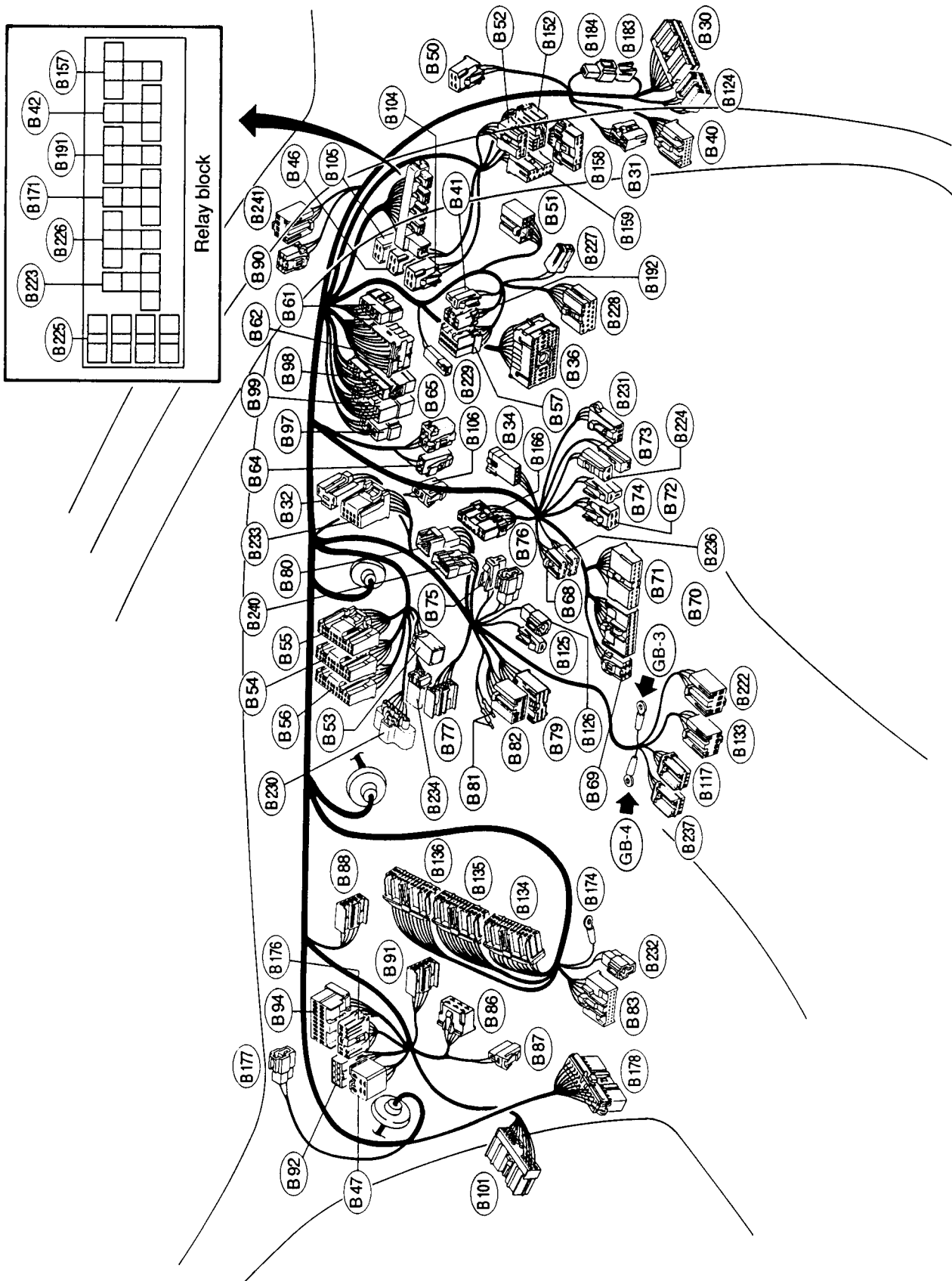
- 6. Front door cord RH
- 7. Front door cord LH
- 8. Roof cord
- 9. Rear door cord RH

- 10. Rear door cord LH
- 11. Rear wiring harness
- 12. Fuel tank cord
- 13. Rear gate cord

67K-M26

WIRING DIAGRAM

(1) BULKHEAD WIRING HARNESS (Compartment)

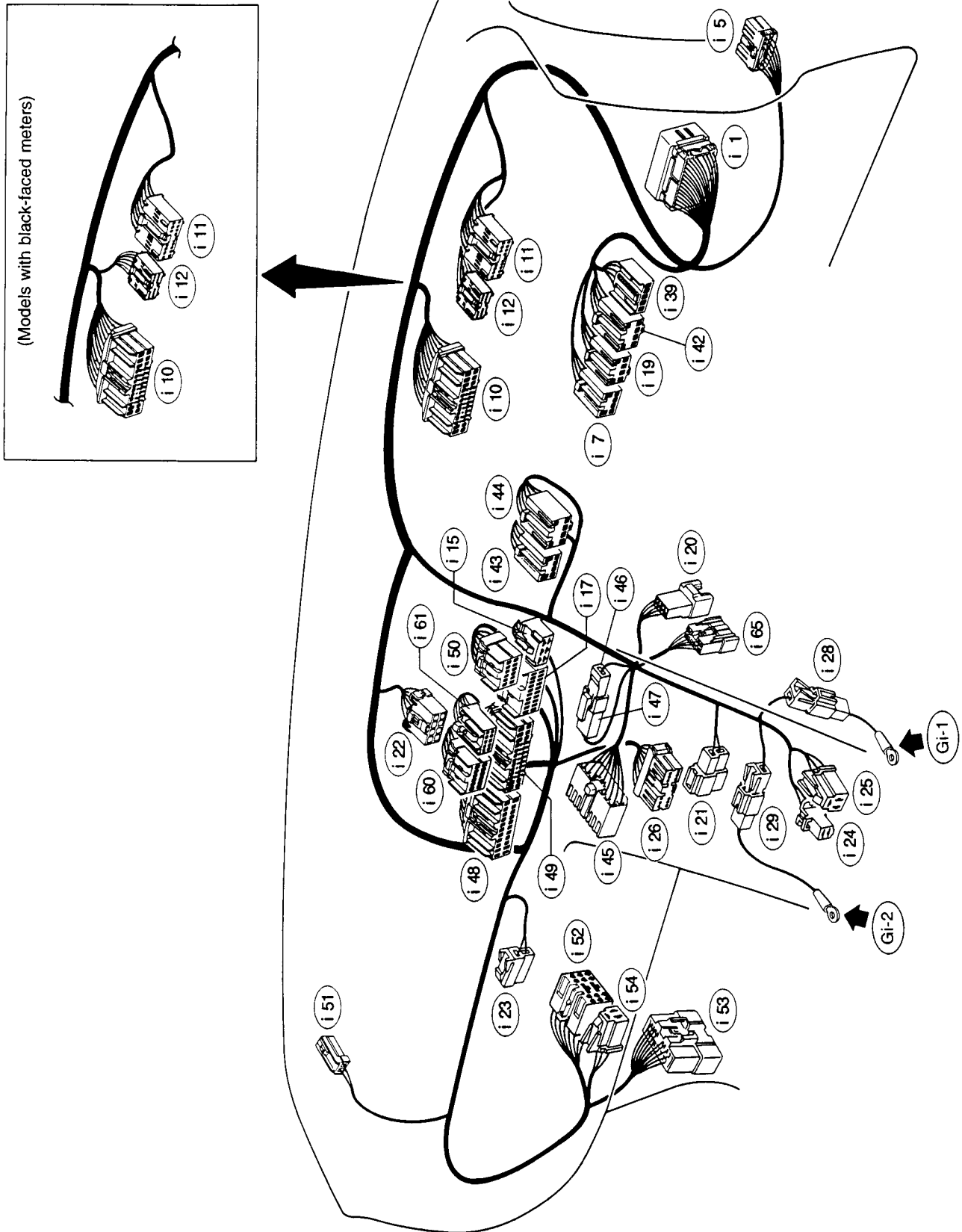


WIRING DIAGRAM

Connector			Connecting to	
No.	Pole	Color	No.	Name
B30	24	★	D1	Front door cord
B31	7	★		Airbag harness
B32	3	Black		Turn signal and hazard module
B34	2	Black		Key warning diode (Without cornering light)
	4			Key warning diode (With cornering light)
B36	66	★	i1	Instrument panel wiring harness (SMJ)
B40	16	★		Select monitor connector
B41	2	★		Wiper window circuit breaker
B42	5	★		Wiper window relay (Relay block)
B46	4	Green		Fuel pump relay
B47	6	Brown		Igniter relay
B50	4	Black		Blower motor relay
B51	8	★		Fuse and relay box (J/B-a)
B52	7	★		Fuse and relay box (J/B-c)
B53	6	Gray		Shield joint connector (AT)
B54	24	Gray		AT control module
B55	24			
B56	24	Green		AT control module (SOHC)
B57	12	★		AT shift control module
B61	8	★	F44	Front wiring harness
B62	66	★	F45	Front wiring harness (SMJ)
B64	2	Black		Stop light switch
B65	4	Black		Stop light and brake switch (Cruise control)
B68	5	Black		Horn and cruise control sub switch
B69	4	★		Combination switch
B70	18	★		
B71	17	★		
B72	4	★		Igniter switch
B73	2	Blue		Key lock solenoid (AT)
B74	2	Black		Key warning switch
B75	2	Green		Test mode connector
B76	2	Green		
B77		★		Mode actuator (Manual A/C)

Connector			Connecting to	
No.	Pole	Color	No.	Name
B79	14	Gray		Check connector
B80	8	★	i20	Instrument panel wiring harness
B81	1x2	★		Diagnosis terminal
B82	8	★		Diagnosis connector
B83	20	★		Joint connector
B86	6	Black		Joint connector (E/G)
B87	2	Black		Blower resistor (Manual A/C)
B88	5	★		Blower motor (Manual A/C)
B90	4	★	R50	Roof cord
B91	7	★		F/REC actuator (Manual A/C)
B92	8	★		Door lock timer
B94	20	Black		Cruise control module
B97	6	★	R1	Rear wiring harness
B98	20	Black	R2	
B99	20	★	R3	
B101	24	★	D11	Front door cord LH
B104	4	★		Accessory power supply relay
B105	2	★		Clutch switch (MT)
B106	4	★		Starter interlock relay
B117	6	★		AT select
B124	8	★	D53	Front door cord RH
B125	1	Black	B126	Read memory connector
B126	1	Black	B125	
B133	6	★		AT power and hold switch
B134	32	★		Engine control module (DOHC)
	16	★		Engine control module (SOHC)
B135	32	Black		Engine control module (DOHC)
	22	★		Engine control module (SOHC)
B136	32	Black		Engine control module (DOHC)
	26	★		Engine control module (SOHC)
B152	12	★		Fuse and relay box (J/B-d)
B157	5	★		Ignition relay 2 (Relay block)
B158	10	Gray		Fuse and relay box (J/B-e)
★: Non-colored				

(2) INSTRUMENT PANEL WIRING HARNESS



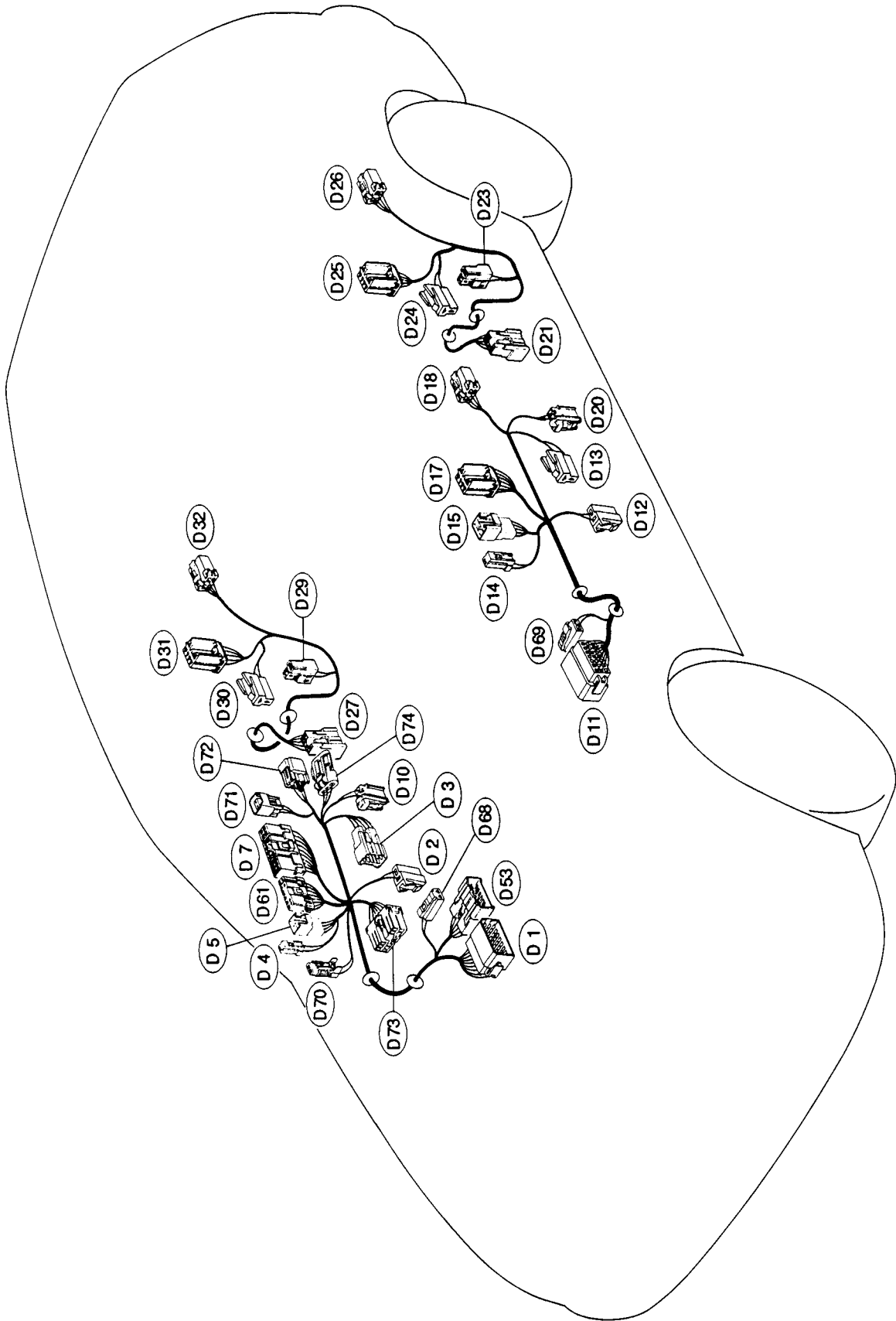
WIRING DIAGRAM

Connector			Connecting to	
No.	Pole	Color	No.	Name
i1	66	★	B36	Bulkhead wiring harness (SMJ)
i5	12	★		Fuse and relay box (J/B-b)
i7	6	Gray		Front fog light switch
i10	30	★		Combination meter
i11	16	★		
i12	14	★		
i15	6	★		Heater control panel (Manual A/C)
i17	16	★		Heater control panel (Manual A/C)
	20	★		Heater control panel (Auto A/C)
i19	6	Brown		Cruise control main switch
i20	8	Black	B80	Bulkhead wiring harness
i21	2	Black		Ash tray illumination light
i22	8	★		Hazard switch
i23	2	★		Glove box illumination light
i24	2	★		Cigarette lighter
i25	3	★		Cigarette lighter illumination light
i26	14	★		Audio
i28	1	Black		Body ground
i29	1	★		Audio ground
i39	6	★		Headlight lever switch
i42	6	Blue		Cargo fan switch

Connector			Connecting to	
No.	Pole	Color	No.	Name
i43	6	★		Wiper deicer
i44	6	Yellow		Air purifier switch
i45	14	Black		Heater module (Auto A/C)
i46	1	★	i47	Defrost connector (Auto A/C)
i47	1	★	i46	
i48	16	Black		Auto A/C control module (Without NAVI system)
	22	Gray		Auto A/C control module (With NAVI system)
i49	20	Black		Auto A/C control module (Without NAVI system)
	26	★		Auto A/C control module (With NAVI system)
i50	12	★		NAVI system
i51	2	★		Sunload sensor (Auto A/C)
i52	14	Black		Blower module (Auto A/C)
i53	20	Blue	B98	Rear wiring harness
i54	3	★		Air purifier (Manual A/C)
i60	12	★		
i61	10	★		
i65	10	★		Bulkhead wiring harness

★: Non-colored

(3) DOOR CORD



WIRING DIAGRAM

Connector			Connecting to	
No.	Pole	Color	No.	Name
D1	24	★	B30	Bulkhead wiring harness
D2	2	★		Front door speaker RH
D3	2	Green		Front wiper window motor RH
	8	★		Power window motor cord (Insert P/W)
D4	2	Black		Front door tweeter RH
D5	6	★		Remote controlled rearview mirror RH (Without heater mirror)
	8	★		Remote controlled rearview mirror RH (With heater mirror)
D7	16	★		Power window main switch
D10	2	★		Step light RH
D11	24	★	B101	Bulkhead wiring harness
D12	2	★		Front speaker LH
D13	2	Green		Front power window motor LH
D14	2	Black		Front door tweeter LH
D15	6	★		Remote controlled rearview mirror LH (Without heater mirror)
	8	★		Remote controlled rearview mirror LH (With heater mirror)
D17	6	★		Front power window sub switch LH
D18	4	★		Front door lock actuator LH
D20	2	★		Step light LH
D21	8	★	R11	Rear wiring harness
D23	2	Black		Rear door speaker LH

Connector			Connecting to	
No.	Pole	Color	No.	Name
D24	2	★		Rear power window motor LH
D25	6	★		Rear power window switch LH
D26	4	★		Rear door lock actuator LH
D27	8	★	R14	Rear wiring harness
D29	2	Black		Rear door speaker RH
D30	2	★		Rear power window motor RH
D31	6	★		Rear power window sub switch RH
D32	4	★		Rear door lock actuator RH
D53	8	★	B124	Bulkhead wiring harness
D61	10	★		Remote controlled rearview mirror switch
D68	2	★	R99	Rear wiring harness (Macintosh audio vehicle)
D69	2	★	R101	Rear wiring harness (Macintosh audio vehicle)
D70	2	★		Buzzer (Keyless entry)
D72		Gray		Knob lock switch (Auto door lock vehicle)
				Front door lock actuator RH (Keyless entry vehicle)
D73	12	★		Power window control module (Insert P/W)
D76	3	★		Door key switch (Insert P/W)

★: Non-colored

(4) REAR WIRING HARNESS



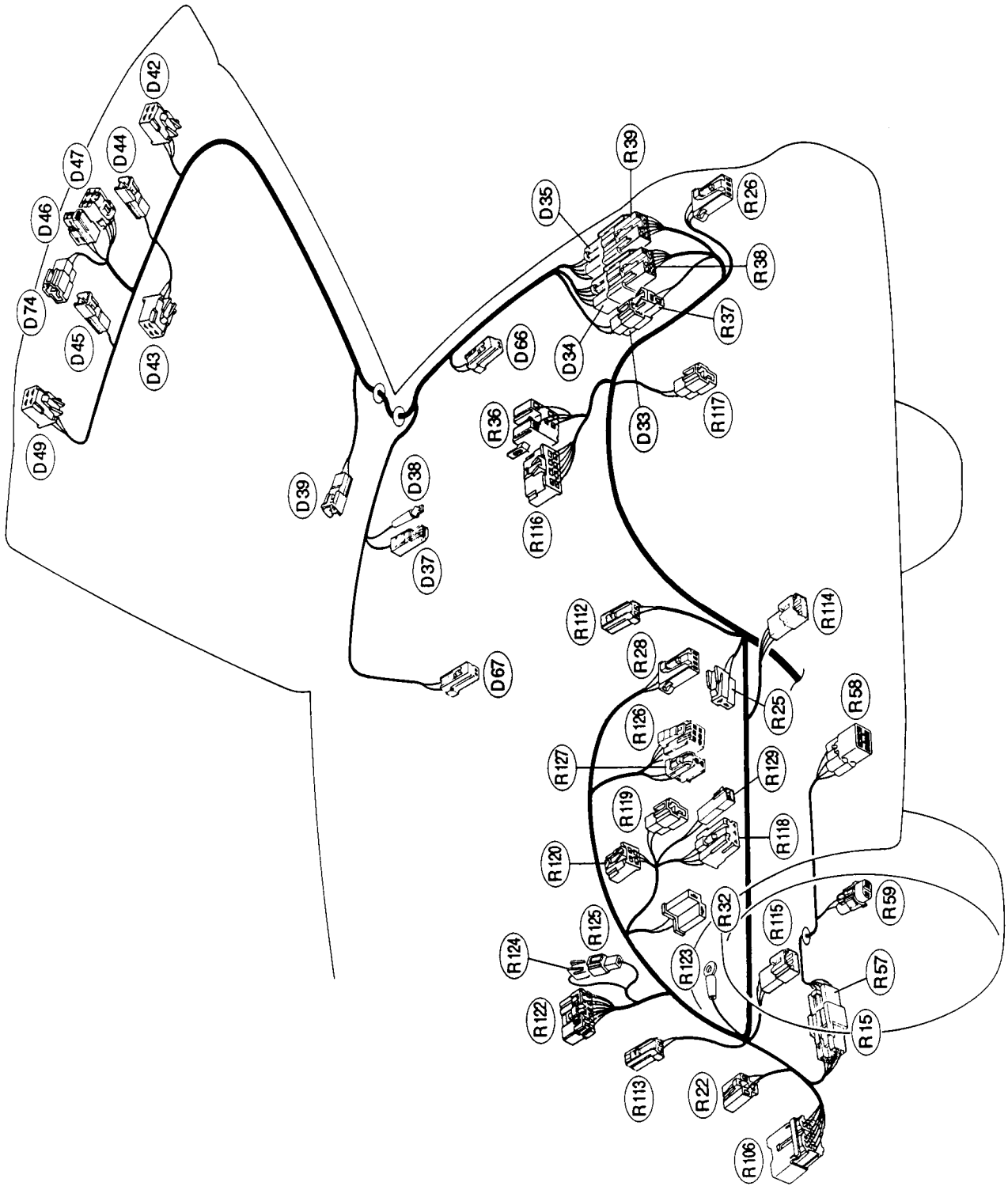
WIRING DIAGRAM

Connector			Connecting to	
No.	Pole	Color	No.	Name
R1	6	★	B97	Bulkhead wiring harness
R2	20	Blue	B98	
R3	20	★	B99	
R4	1	Black		Parking switch
R8	4	★		Seat belt switch RH
R9	3	★		Front door switch LH
R11	8	★	D21	Rear door cord LH
R12	3	★		Front door switch RH
R14	8	★	D27	Rear door cord RH
R16		★		Rear door switch RH
R41	4	Blue		Seat heater LH
R42	6	Blue		Seat heater switch LH
R43	6	★		Seat heater switch RH
R44	4	Blue		Seat heater RH
R49	12	★	F55	Front wiring harness
R50	4	★	B90	Bulkhead wiring harness
R52	3	★		Room light
R55	8	★		Sunroof control module
R56	2	★		Spot light
R72	2	★		ABS vehicle speed sensor rear RH
R73	2	★		ABS vehicle speed sensor rear LH
R85	20	★	B178	Bulkhead wiring harness

Connector			Connecting to	
No.	Pole	Color	No.	Name
R89	8	★		Speaker joint connector LH
R90	8	★		Speaker joint connector RH
R98	20	Blue	i53	Instrument panel wiring harness
R99	2	★	D68	Front door cord RH (Macintosh audio vehicle)
R100	3	Black		Front and rear G sensor (VDC)
R101	2	★	D69	Front door cord LH (Macintosh audio vehicle)
R102	20	★		Height control module
R103	16	★		
R104	2	★		Tension reducer
R105	8	★	R106	Rear wiring harness
R107	4	★		Seat belt switch LH
R108	2	Black		TV tuner
R109	2	Black		Power seat
R110	14	★		Audio amp. (Macintosh audio vehicle)
R111	2	★		Tension reducer RH
R121	3	★		AT-G sensor (Turbo vehicle)
R128	5	★		Sunroof switch
R140	6	★	B241	Bulkhead wiring harness
R141	8	★		
★: Non-colored				

WIRING DIAGRAM

(5) REAR WIRING HARNESS AND REAR GATE CORD



WIRING DIAGRAM

REAR WIRING HARNESS

Connector			Connecting to	
No.	Pole	Color	No.	Name
R15	6	Black	R57	Fuel tank cord
R22	3	Black		Rear door switch LH
R25	2	Black		Rear defogger condenser
R26	4	Black		Rear combination light RH
R28	4	Black		Rear combination light LH
R32	2	★		Accessory power supply socket
R36	5	Black		Rear wiper relay
R37	2	★	D33	Rear gate cord
R38	8	★	D34	
R39	8	★	D35	
R106	8	★	R105	Rear wiring harness (Without A/S)
	12	★	R105	Rear wiring harness (With A/S)
R112	2	Black		TV antenna amp. RH
R113	2	Black		TV antenna amp. LH
R114	4	Black		Rear A/S sensor RH
R115	4	Black		Rear A/S sensor LH
R116	8	★		Rear wiper intermittent module
R117	2	★		Woofer (Macintosh audio vehicle)
R118	7	★		Cargo fan actuator
R119	2	★		Cargo fan
R120	4	★		Cargo fan relay
R122	10	★		Fuel pump control module (Turbo vehicle)
R123	1	★		Ground
R124	1	★	R125	Fuel pump control sealed joint connector (Turbo vehicle)
R125	1	★	R124	
R126	6	★		Muffler actuator controller
R127	2	★		Muffler actuator
R129	2	★		Cargo fan diode

★: Non-colored

FUEL TANK CORD

Connector			Connecting to	
No.	Pole	Color	No.	Name
R57	6	Black	R15	Rear wiring harness
R58	6	★		Fuel gauge module and fuel pump
R59	2	★		Fuel gauge sub module

★: Non-colored

REAR GATE CORD

Connector			Connecting to	
No.	Pole	Color	No.	Name
D33	2	★	R37	Rear wiring harness
D34	8	★	R38	
D35	8	Black	R39	
D37	1	Black		Luggage room light
D38	1	★		
D39	2	★		High-mounted stop light
D42	4	★		Rear finisher light RH
D43	4	★		Rear wiper motor
D44	2	★		License plate light RH
D45	2	★		License plate light LH
D46	2	Black		Rear gate latch switch
D47	4	★		Rear gate lock actuator
D49	4	★		Rear finisher light LH
D66	2	Black		Rear tweeter RH
D67	2	Black		Rear tweeter LH
D74	2	★		Rear defogger

★: Non-colored